

SPC H-020

FILE NAME: 322UEEHHSPCH-020_ISO.DWG

ISSUE DATE: January, 2008

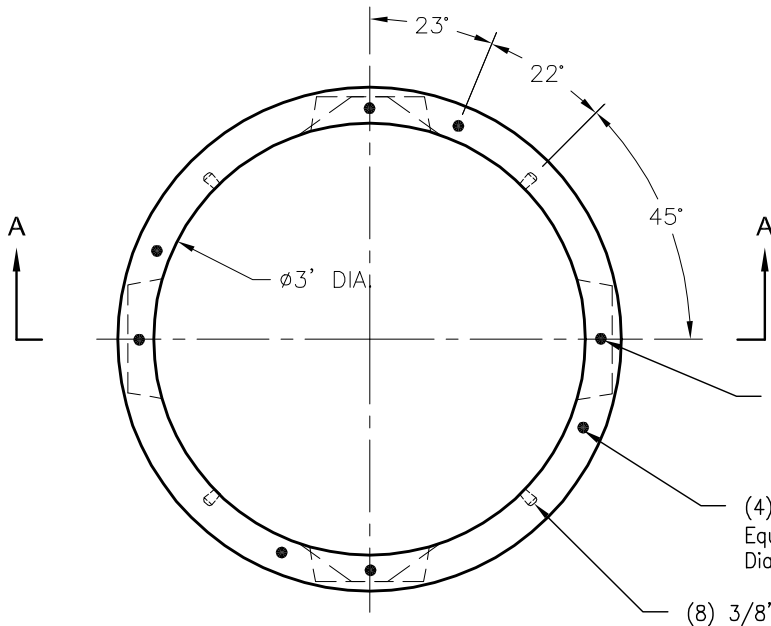
www.oldcastleprecast.com

**36" Diameter x 36" High
Handhole
Northeast Utilities
SPC H-020**

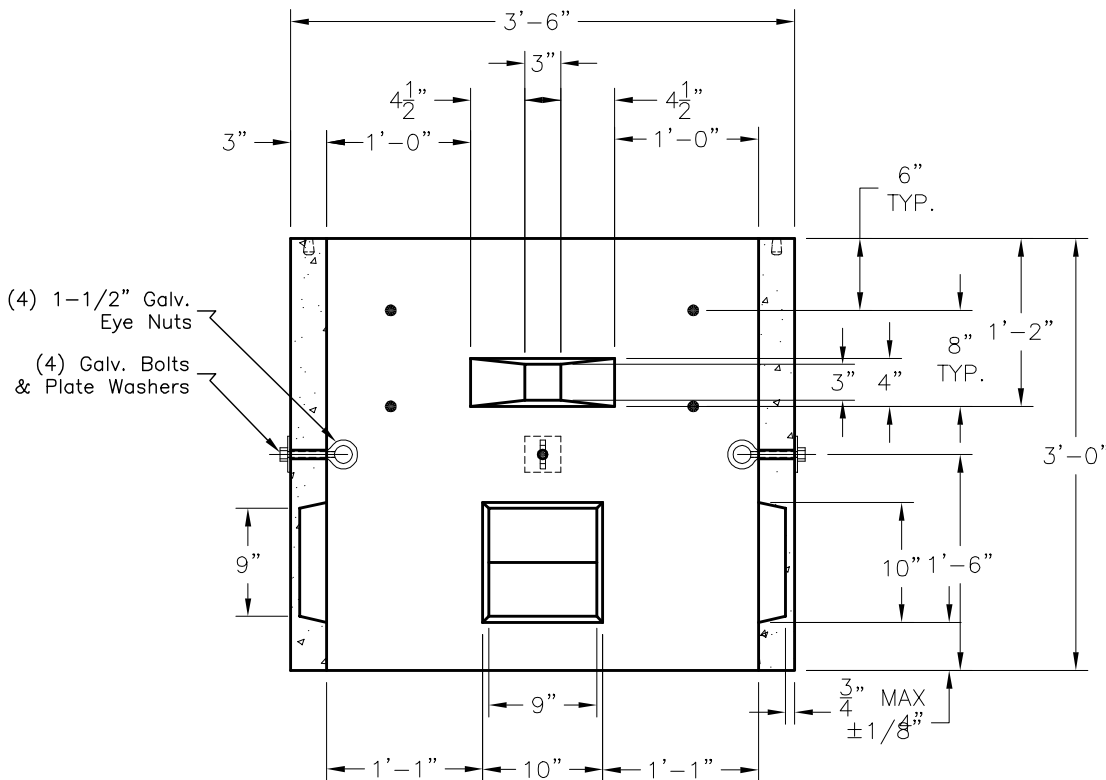
Copyright © 2008 **Oldcastle Precast, Inc.**

NOTES:

1. Concrete : 5,000 P.S.I
Minimum Strength @ 28 Days
2. Steel Reinforcing- ASTM A-615,
Grade 60.
3. Cover to Steel-1" Minimum
4. Handholes are Designed to Meet ASTM
C858 and ACI 318 with AASHTO
HS-20 Loading
5. Contractor to Verify Size and Location
of Openings
6. Approx. Wt. = .59 Tons



- (4) 5/8" AMIFAST P-45T Insert
Equally Spaced on 38 1/2"
Diameter Bolt Circle
- (4) 3/8" AMIFAST P-25T Insert
Equally Spaced on 38 1/2"
Diameter Bolt Circle
- (8) 3/8" AMIFAST P-25T Insert



SECTION A-A



SPC H-020

FILE NAME: 322UEEHSPCH-020_DET.DWG

ISSUE DATE: January, 2008

www.oldcastleprecast.com

**36" Diameter x 36" High
Handhole
Northeast Utilities
SPC H-020**

Copyright ©2008 Oldcastle Precast