

**Oldcastle Precast**<sup>®</sup>

**DB-5 w/ BAFFLE**

FILE NAME: 324ESDDB-5\_ISO.DWG

ISSUE DATE: January, 2008

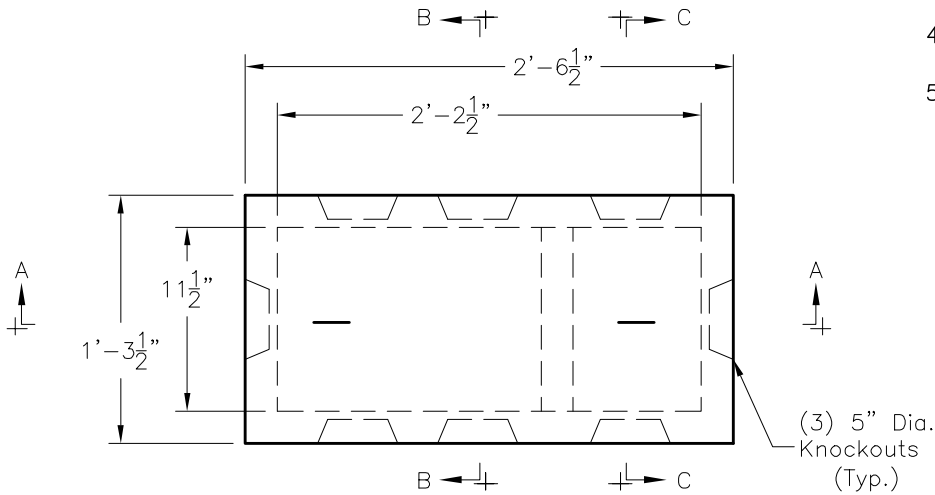
[www.oldcastleprecast.com](http://www.oldcastleprecast.com)

**11-1/2" x 2'-2 1/2" x 15" I.D.**  
**Distribution Box**  
**Weight 375 Lbs.**

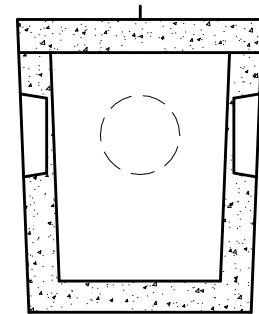
Copyright © 2008 **Oldcastle Precast**<sup>®</sup>

**NOTES:**

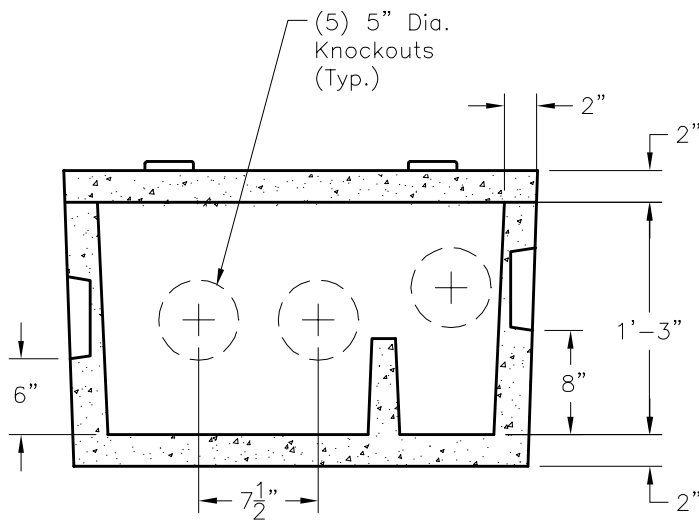
1. Concrete : 4,000 P.S.I  
Minimum Strength @ 28 Days
2. Steel Reinforcing— ASTM A-615,  
Grade 60.
3. Cover to Steel—1" Minimum
4. Design Loading Light Duty
5. Approx. wt. = 0.2 tons  
(375 lb.)



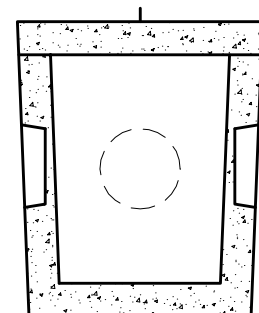
**PLAN VIEW**



**SECTION C-C**



**SECTION A-A**



**SECTION B-B**



**DB-5 w/ BAFFLE**

FILE NAME: 324ESDDB-5\_DET.DWG

ISSUE DATE: January, 2008

[www.oldcastleprecast.com](http://www.oldcastleprecast.com)

**11-1/2" x 2"-2 1/2" x 15" I.D.  
Distribution Box**

Copyright © 2008 **Oldcastle Precast**