

MBSF

FILE NAME: 325THBMSF_ISO.DWG

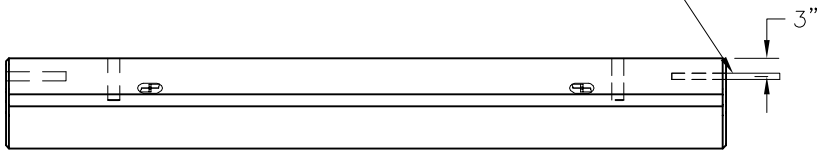
ISSUE DATE: January, 2008

www.oldcastleprecast.com

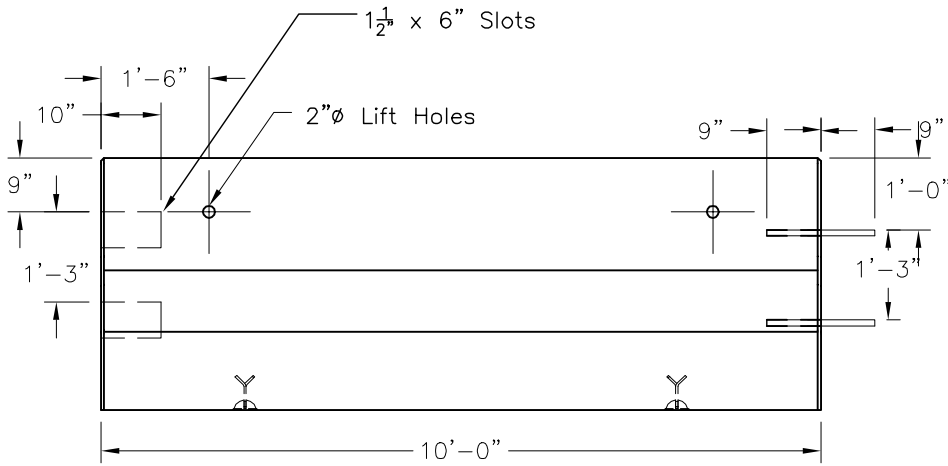
1'-3" x 10'-0" x 3'-6"
Median Barrier
Single Face
4,000 Lbs

Copyright ©2008 **Oldcastle Precast, Inc.**

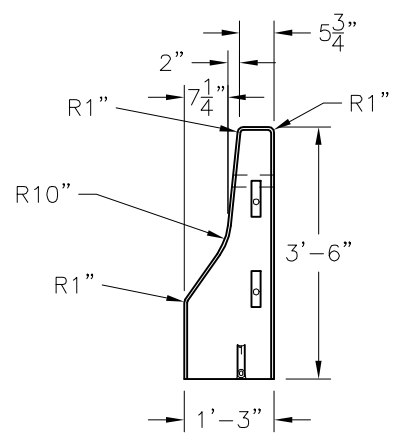
1"Ø Plain Bar Dowels
1'-6" Long, Galvanized



PLAN VIEW



FRONT VIEW



END VIEW



MBSF
 FILE NAME: 325THBMSF_DET.DWG
 ISSUE DATE: January, 2008
www.oldcastleprecast.com

1'-3" x 10'-0" x 3'-6"
Median Barrier
Single Face
4,000 Lbs
 Copyright ©2008 Oldcastle Precast, Inc.