

Oldcastle Precast[®]

SPF2020

FILE NAME: 325MAM20X20_ISO.DWG

ISSUE DATE: January, 2008

www.oldcastleprecast.com

1'-8" x 1'-8" x 2'-6"
Signal Post Foundation
MHD
520 Lbs.

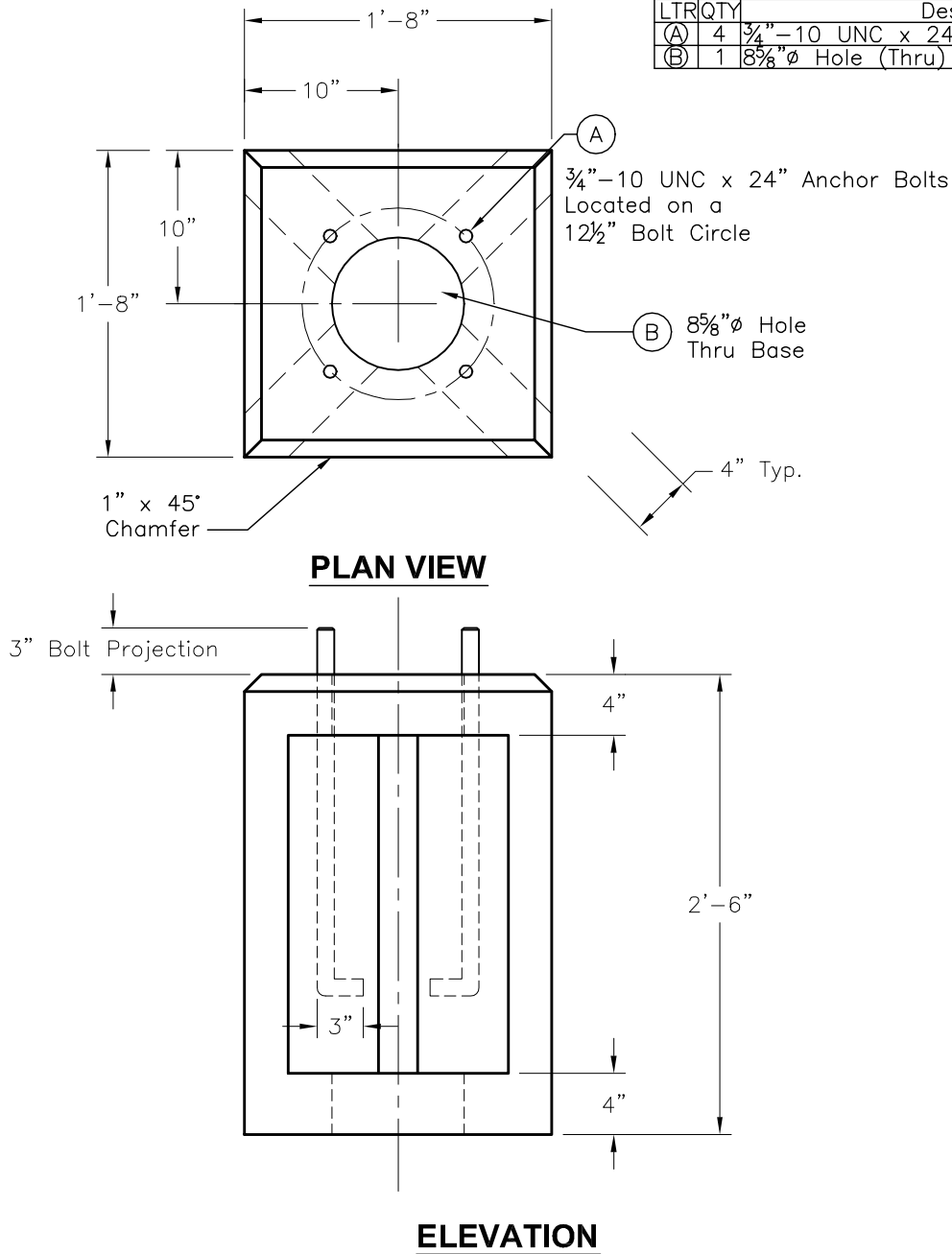
Copyright © 2008 **Oldcastle Precast**[®]

GENERAL NOTES:

1. Concrete: 28 Day Compressive Strength $f'_c = 5,000$ psi Type III.
2. Rebar: Grade 60 Per ASTM A615 (Epoxy).

DATA CHART

LTR	QTY	Description
(A)	4	$\frac{3}{4}$ "-10 UNC x 24" Anchor Bolt (Galv.)
(B)	1	$8\frac{5}{8}$ " ϕ Hole (Thru)



Oldcastle Precast®

SPF2020

FILE NAME: 325MAM20X20_DET.DWG

ISSUE DATE: January, 2008

www.oldcastleprecast.com

1'-8" x 1'-8" x 2'-6"
Signal Post Foundation
520 Lbs.
MHD

Copyright © 2008 **Oldcastle Precast®**