

Oldcastle Precast[®]

DF MB

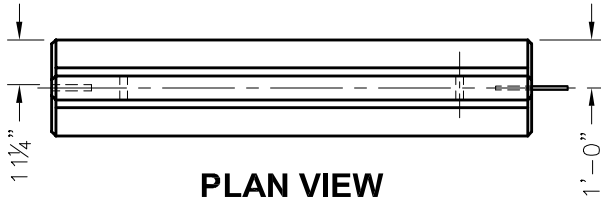
FILE NAME: 325THBDFMB_ISO.DWG

ISSUE DATE: January, 2008

www.oldcastleprecast.com

**10' Double Face
Median Barrier
Massachusetts D.O.T
6,400 Lbs**

Copyright © 2008 **Oldcastle Precast**[®]



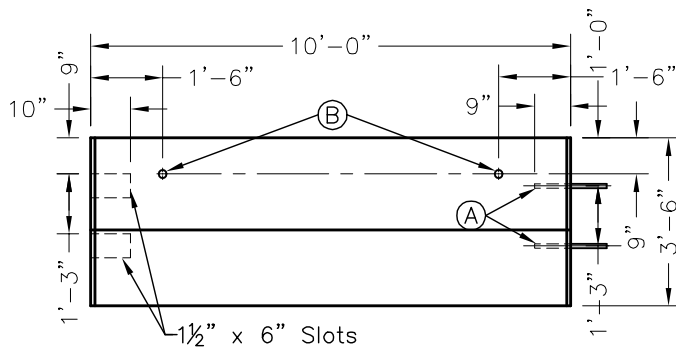
PLAN VIEW

GENERAL NOTES:

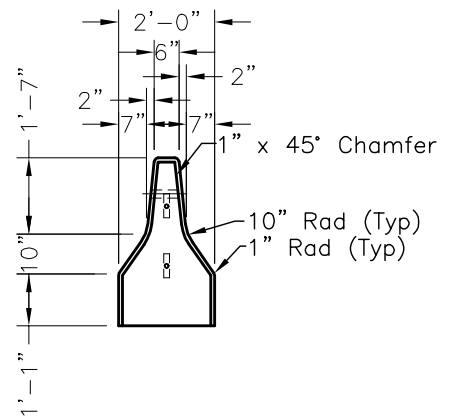
1. Concrete: 28 Day Compressive Strength $f'_c = 5,000$ psi. Type III.
2. Rebar: Grade 60 Per ASTM A615. (Epoxy)
3. Bend Black Rebar Around 3" Dia. Pin.

DATA CHART

LTR	QTY	Description
(A)	2	1" ϕ x 1'-6" Galv. Steel Dowel
(B)	2	2" ϕ Lifting Hole



ELEVATION



END ELEVATION



DF MB

FILE NAME: 325THBDFMB_DET.DWG

ISSUE DATE: January, 2008

www.oldcastleprecast.com

**10' Double Face
Median Barrier
Massachusetts D.O.T
6,400 Lbs**

Copyright © 2008 **Oldcastle Precast**