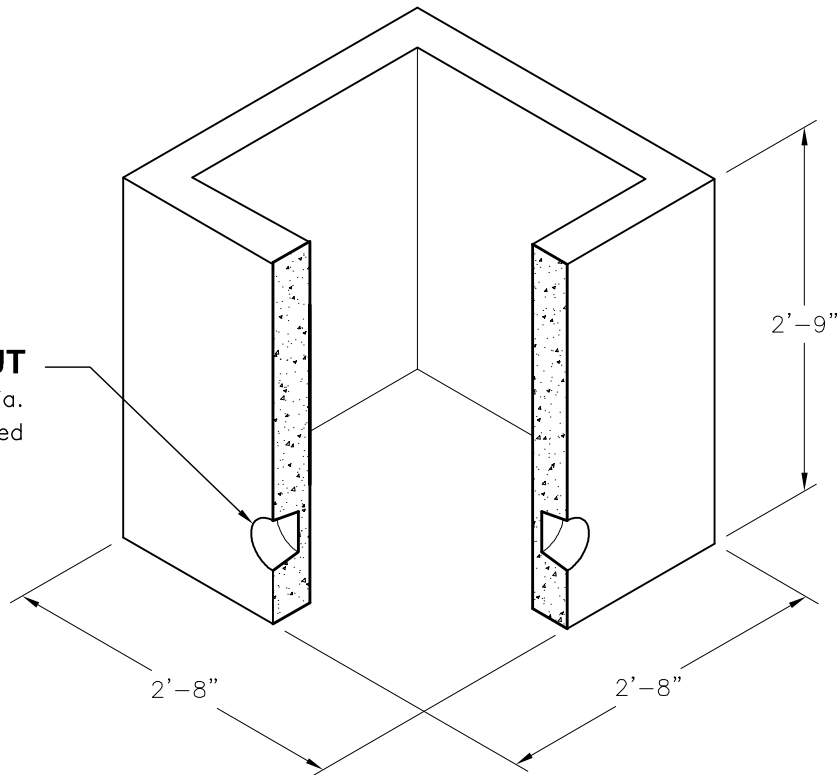


KNOCKOUT
4" Dia.
(4) Required



Oldcastle Precast[®]

HH2424-4

FILE NAME: 325UEHH2424-4_ISO.DWG

ISSUE DATE: January, 2008

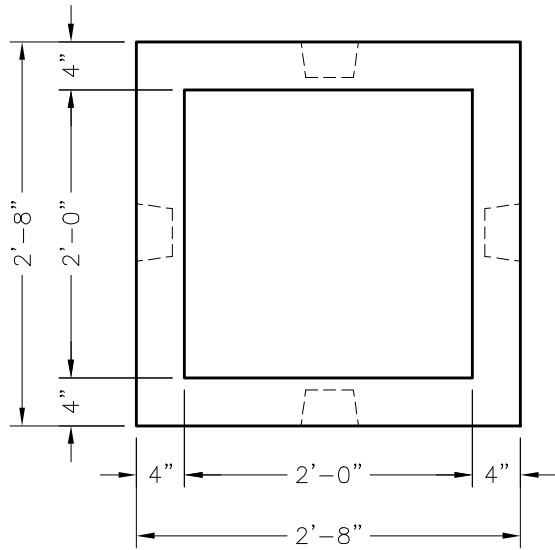
www.oldcastleprecast.com

**2'-0" x 2'-0" x 2'-9" I.D.
Handhole
1,300 Lbs.**

Copyright © 2008 **Oldcastle Precast**[®]

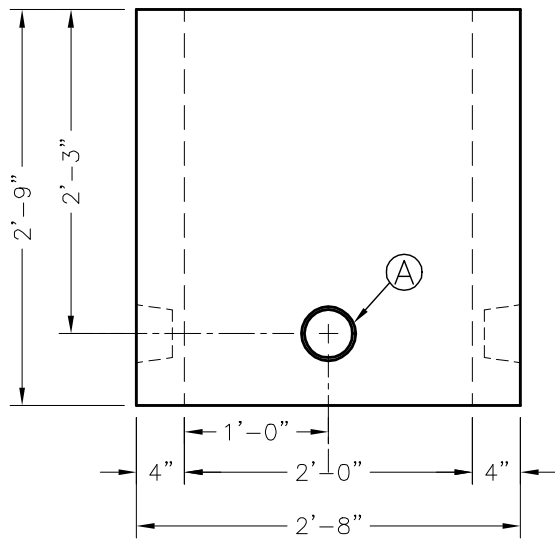
GENERAL NOTES:

1. Concrete: 28 Day Compressive Strength $f'_c = 4,500$ psi. Type III.
2. Rebar: Grade 60 Per ASTM A615.

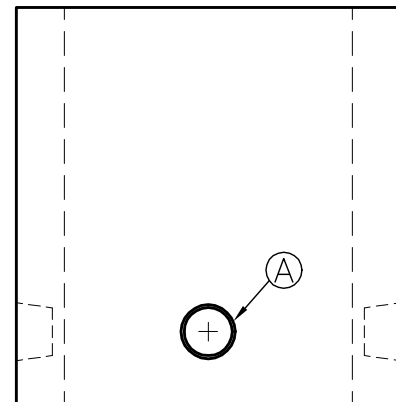


PLAN VIEW

DATA CHART		
LTR	QTY	Description
(A)	4	4" Dia. Knockout



FRONT ELEVATION



SIDE ELEVATION



HH2424-4

FILE NAME: 325UEHH2424-4_DET.DWG

ISSUE DATE: January, 2008

www.oldcastleprecast.com

**2'-0" x 2'-0" x 2'-9" I.D.
Handhole
1,300 Lbs.**

Copyright © 2008 **Oldcastle Precast**