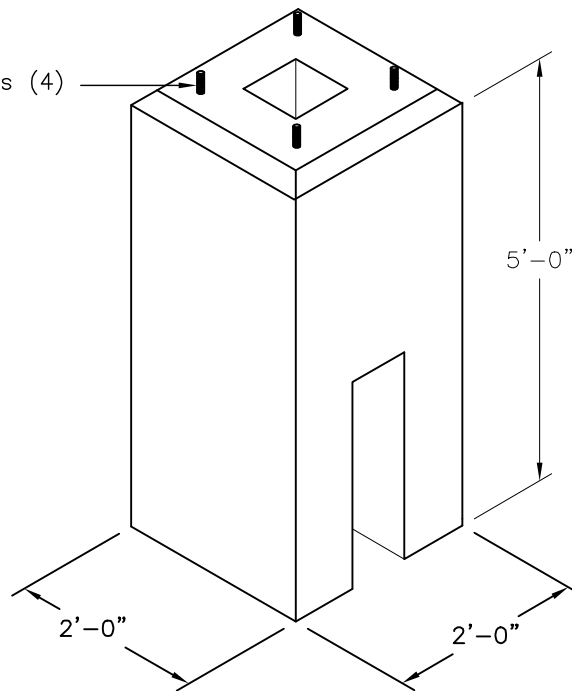


1" x 48" Lg. Anchor Bolts (4)



Oldcastle Precast[®]

LPB2424

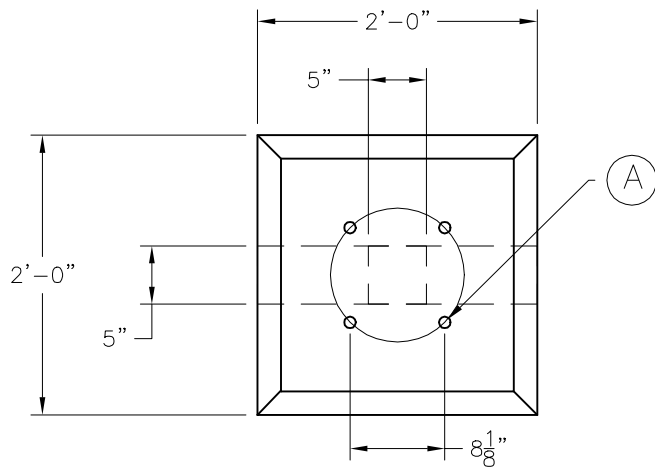
FILE NAME: 325UEFLB24X24_ISO.DWG

ISSUE DATE: January, 2008

www.oldcastleprecast.com

2'-0" x 2'-0" x 5'-0"
Light Pole Base
NGRID
750 Lbs.

Copyright © 2008 **Oldcastle Precast**[®]



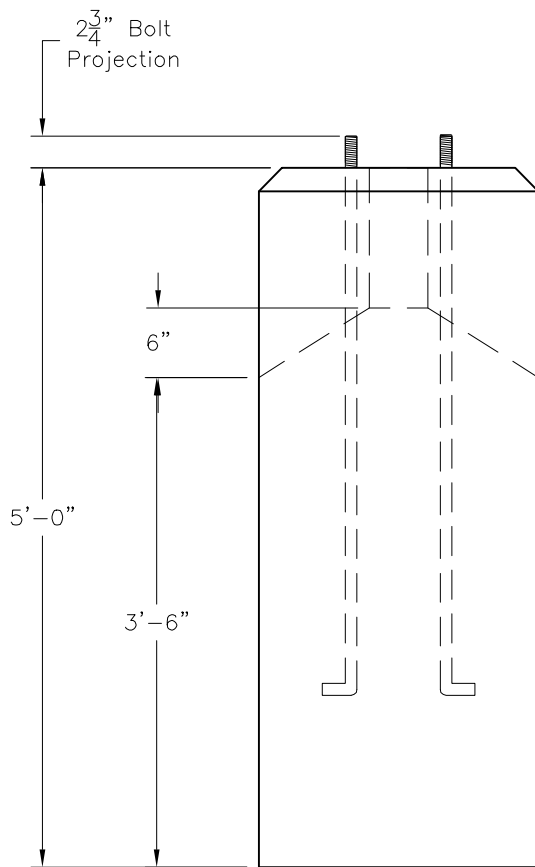
PLAN VIEW

GENERAL NOTES:

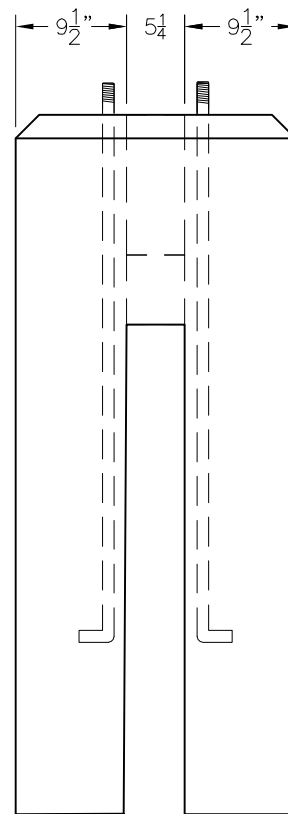
1. Concrete: 28 Day Compressive Strength $f'_c = 5,000$ psi.
2. Rebar: Grade 60 Per ASTM A615.
3. H-20

DATA CHART

LTR	QTY	Description
A	4	1" Dia. x 48" LG. Anchor Bolts (Galv.)
A	2	w/8 Washers & 8 Nuts (Galv.)



ELEVATION



ELEVATION



LPB2424

FILE NAME: 325UEFLPB24X24_DET.DWG

ISSUE DATE: January, 2008

www.oldcastleprecast.com

2'-0" x 2'-0" x 5'-0"
Light Pole Base
NGRID
750 Lbs.

Copyright ©2008 Oldcastle Precast®