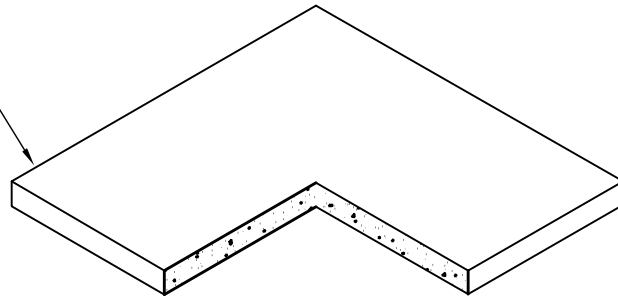
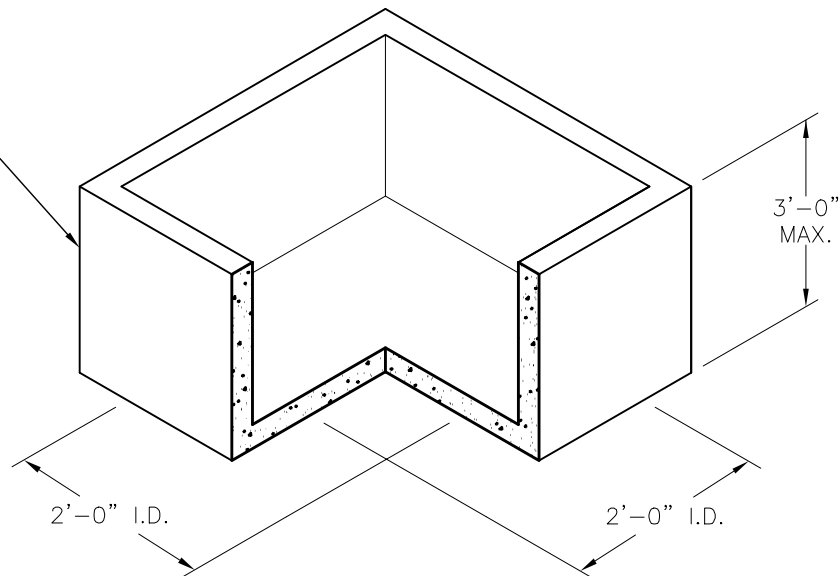


SLAB TOP
WT. Variable



BOTTOM
WT. Variable



NOTE
Inside Height as Specified
Inside Roof, Floor and Side Wall Openings as Specified
Maximum inside Height for 2 Piece Manhole 6'-0"
Maximum inside Height of Each Additional Piece 3'-0"



MH2X2

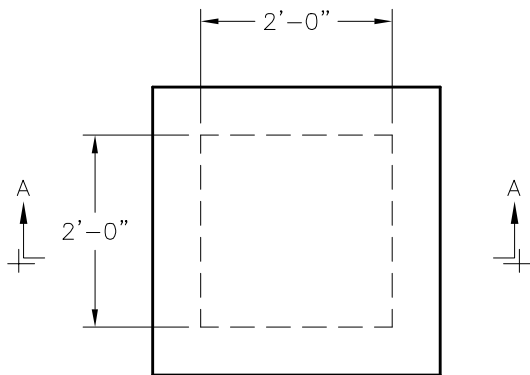
FILE NAME: 324UCPMH2x2_ISO.DWG

ISSUE DATE: January, 2008

www.oldcastleprecast.com

**2'-0" x 2'-0" x Variable I.D.
Utility Vault**

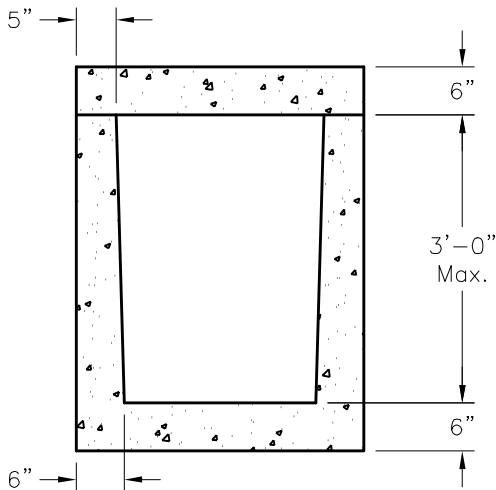
Copyright © 2008 **Oldcastle** Precast



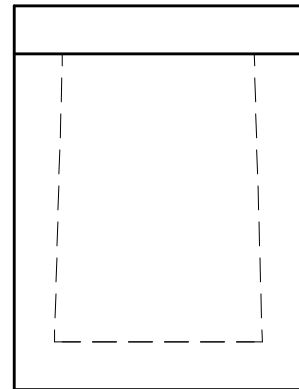
PLAN VIEW

NOTES:

1. Concrete : 5,000 P.S.I
Minimum Strength @ 28 Days
2. Steel Reinforcing- ASTM A-615,
Grade 60.
3. Cover to Steel-1" Minimum
4. Vault are Designed to Meet ASTM
C858 and ACI 318 with AASHTO
HS-20 Loading
5. Earth Cover -0 to 5 Feet Max.
Minimum
6. Construction Joint-Sealed with
1"Dia Butyl Rubber or Equivalent



SECTION A-A



END VIEW



MH2X2

FILE NAME: 324UCPMH2x2_DET.DWG

ISSUE DATE: January, 2008

www.oldcastleprecast.com

**2'-0" x 2'-0" x Variable I.D.
Utility Vault**

Copyright © 2008 **Oldcastle** Precast