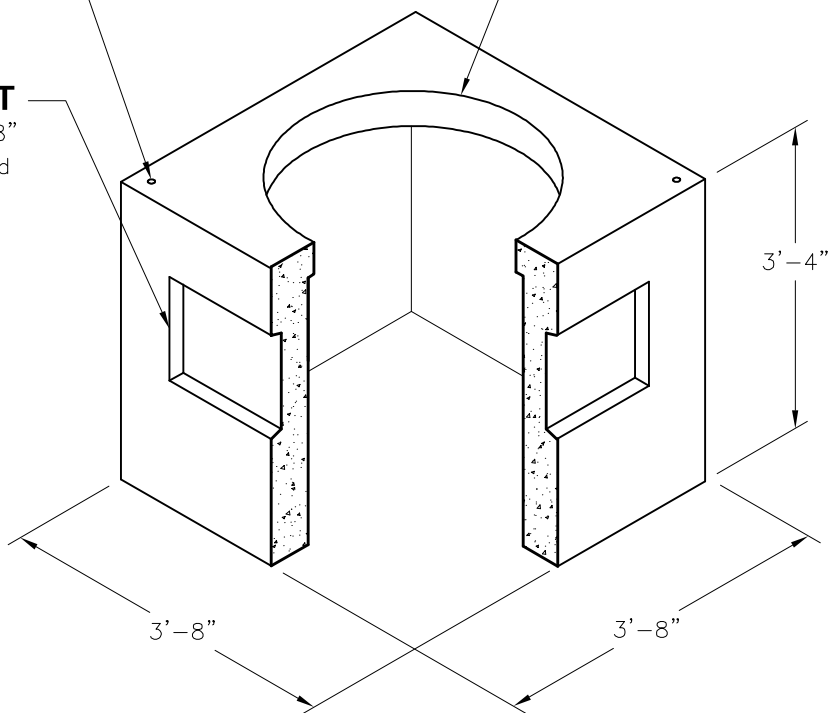


LIFTING INSERT
(4) Required

KNOCKOUT
12" x 18"
(4) Required

ACCESS HOLE
30" Dia.



Oldcastle Precast[®]

HH3636

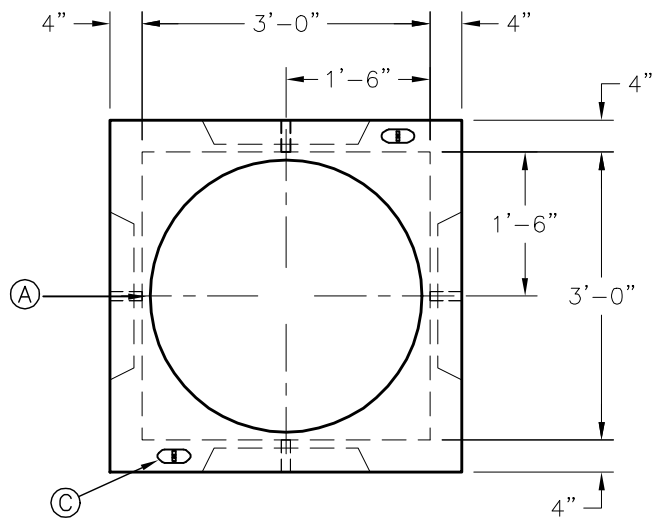
FILE NAME: 325UEHH3636_ISO.DWG

ISSUE DATE: January, 2008

www.oldcastleprecast.com

**3'-0" x 3'-0" x 3'-0" I.D.
Handhole
2,400 Lbs.**

Copyright © 2008 **Oldcastle Precast**[®]



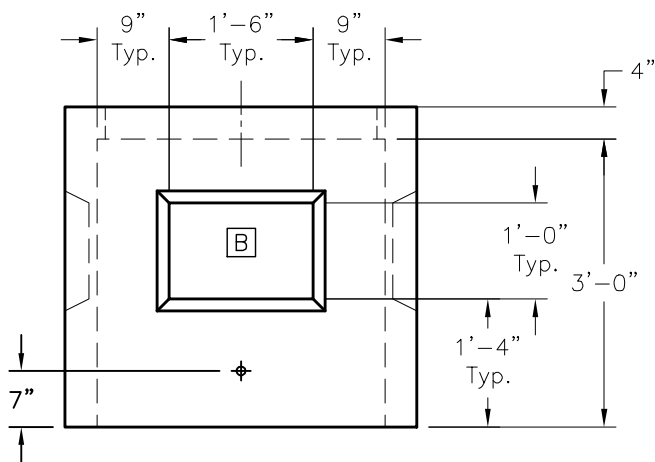
PLAN VIEW

GENERAL NOTES:

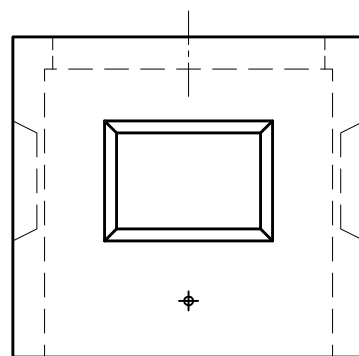
1. Concrete: 28 Day Compressive Strength $f'_c = 4,500$ psi. Type III.
2. Rebar: Grade 60 Per ASTM A615.
3. General Contractor to Verify all Openings Sizes and Locations.
4. All Openings Have Additional Rebar Reinforcement.

DATA CHART

| LTR | QTY | Description |
|-----|-----|--------------------|
| (A) | 1 | 30" Dia. Thru |
| (B) | 4 | 12" x 18" Knockout |
| (C) | 2 | Lifting Insert |



ELEVATED VIEW



END VIEW



Oldcastle Precast®

HH3636

FILE NAME: 325UEHH3636_DET.DWG

ISSUE DATE: January, 2008

www.oldcastleprecast.com

**3'-0" x 3'-0" x 3'-0" I.D.
Handhole
2,400 Lbs.**

Copyright © 2008 **Oldcastle Precast®**