

Oldcastle Precast[®]

MH3X3X4

FILE NAME: 322UTTMH3X3X4_ISO.DWG

ISSUE DATE: January, 2008

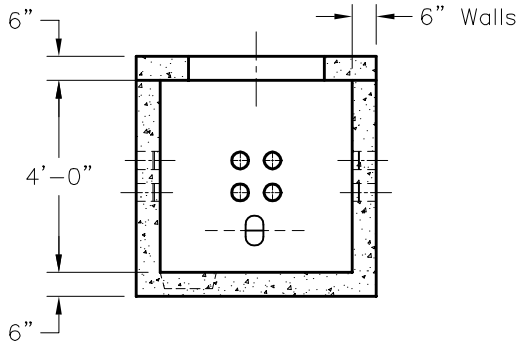
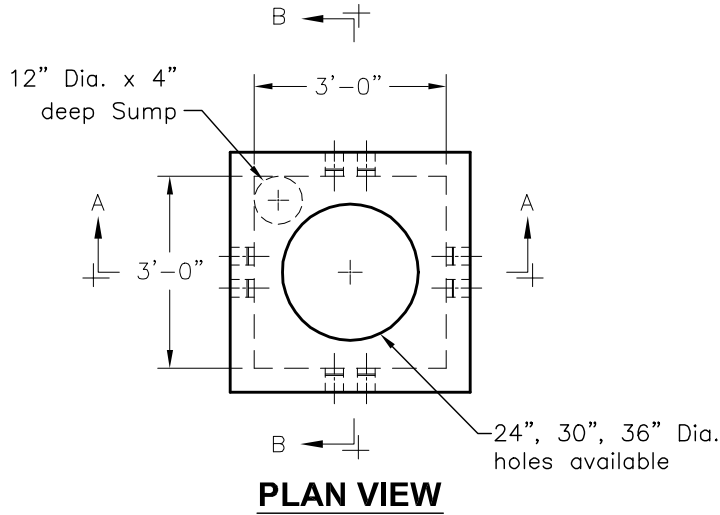
www.oldcastleprecast.com

**3'-0" x 3'-0" x 4'-0" I.D.
Communication Vault**

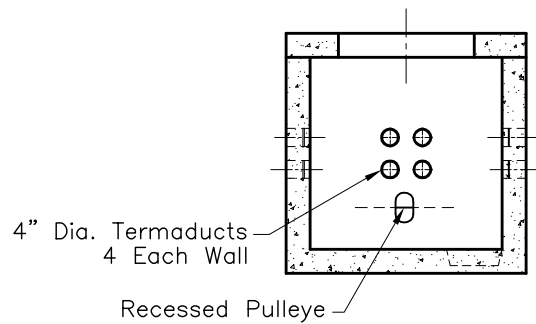
Copyright © 2008 **Oldcastle Precast**[®]

GENERAL NOTES:

1. Concrete: 28 Day Compressive Strength $f'_c = 5,000$ psi
2. Steel Reinforcement: ASTM A-615, Grade 60
3. Cover to Steel-1" Minimum
4. Vaults are Designed to Meet ASTM C857 and ACI 318 with AASHTO HS-20 Loading
5. Construction Joint Sealed with 1" Dia. Butyl Rubber or Equivalent
5. Approx. wt. for slab .90 tons and 3.7 tons for base section.
6. Typical termaduct spacing 8" O.C. or as shown.



NOTE: Opposite Wall is Similar



NOTE: Opposite Wall is Similar



MH3X3X4

FILE NAME: 322UTTMH3X3X4_DET.DWG

ISSUE DATE: January, 2008

www.oldcastleprecast.com

**3'-0" x 3'-0" x 4'-0" I.D.
Communication Vault**

Copyright © 2008 **Oldcastle Precast**