

Oldcastle Precast[®]

HH HDC

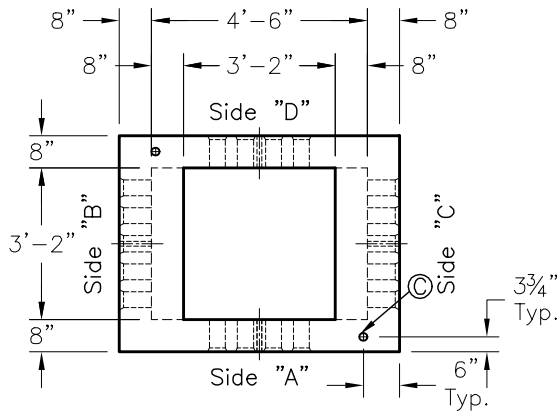
FILE NAME: 325UEHHDC_ISO.DWG

ISSUE DATE: January, 2008

www.oldcastleprecast.com

**3'-2" x 4'-6" x 2'-0" I.D.
Heavy Duty Handhole
w/Cups
5,000 Lbs**

Copyright © 2008 **Oldcastle Precast**[®]

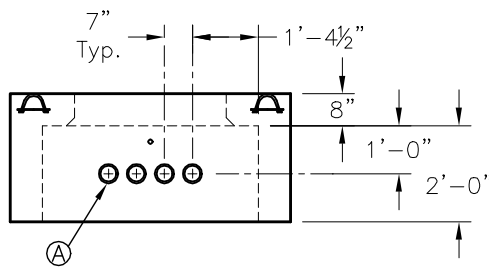


GENERAL NOTES:

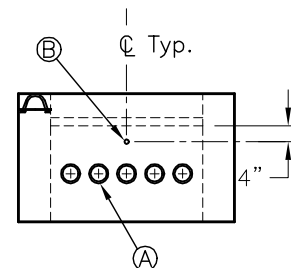
1. Concrete: 28 Day Compressive Strength $f'_c = 5,000$ psi.
2. Rebar: Grade 60 Per ASTM A615.

DATA CHART

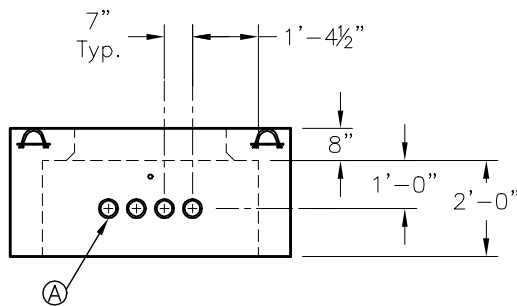
LTR	QTY	Description
A	18	4" ϕ Duct Term.
B	4	1 1/8" ϕ Hole (Ref Pulling Eye)
C	2	Lifting Insert



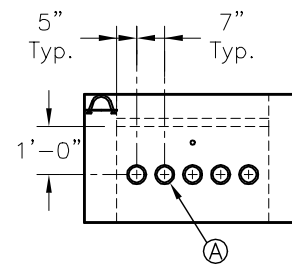
SIDE "A"



SIDE "B"



SIDE "D"



SIDE "C"



HH HDC

FILE NAME: 325UEHHDC_DET.DWG

ISSUE DATE: January, 2008

www.oldcastleprecast.com

**3'-2" x 4'-6" x 2'-0" I.D.
Heavy Duty Handhole
w/Cups
5,000 Lbs**

Copyright © 2008 **Oldcastle Precast**