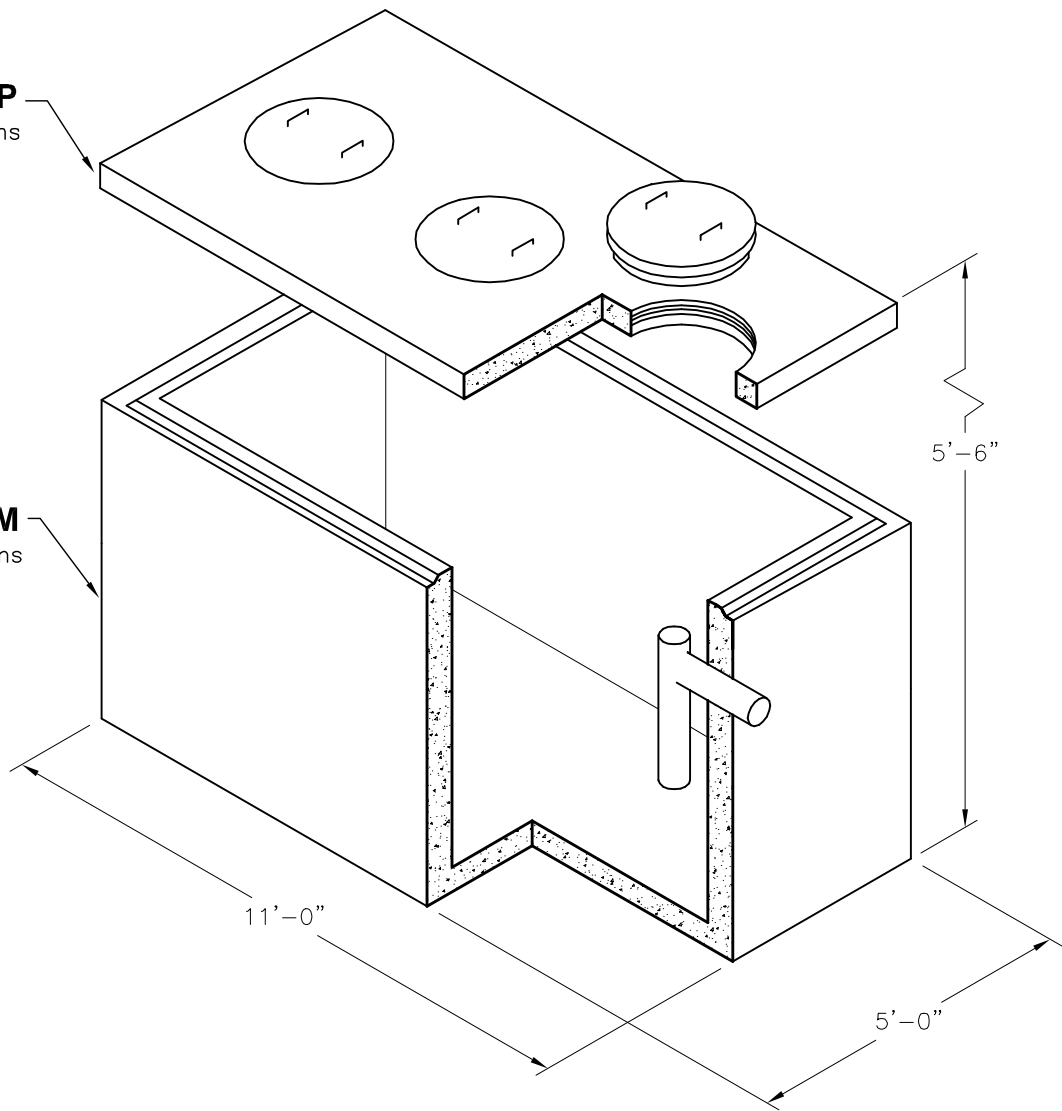


**TOP**  
2.3 Tons

**BOTTOM**  
8.5 Tons



**Oldcastle Precast**<sup>®</sup>

**GT-1000**

FILE NAME: 322ECGGT1000\_ISO.DWG

ISSUE DATE: January, 2008

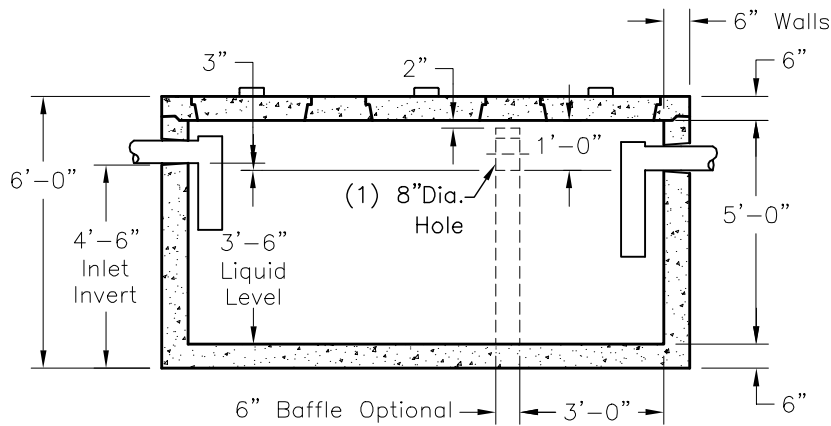
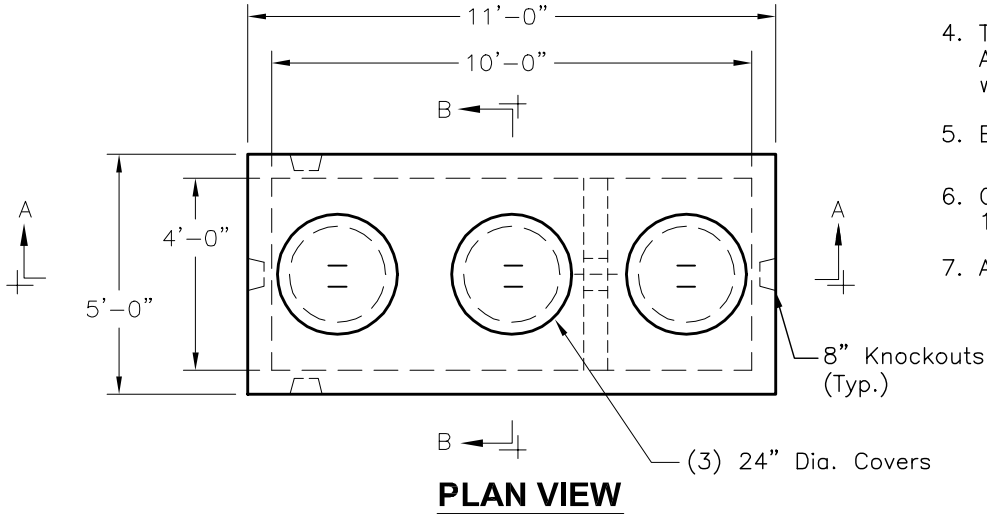
[www.oldcastleprecast.com](http://www.oldcastleprecast.com)

**4'-0" x 10'-0" x 4'-6" I.D.**  
**Grease Interceptor**  
**1,000 Gallon Capacity**

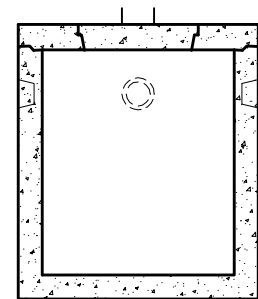
Copyright © 2008 **Oldcastle Precast**<sup>®</sup>

**NOTES:**

1. Concrete: 5,000 P.S.I Minimum Strength @ 28 Days
2. Steel Reinforcing—ASTM A-615, Grade 60
3. Cover to Steel—1" Minimum
4. Tanks are Designed to Meet ASTM C858 and ACI 318 with AASHTO HS-20 Loading
5. Earth Cover—0 to 5 Feet Max.
6. Construction Joint Sealed with 1" Dia. Butyl Rubber or Equivalent
7. Approx. Wts: Top Slab = 2.3 Tons  
Bottom Section = 8.5 Tons



**SECTION A-A**



**SECTION B-B**



**GT-1000**

FILE NAME: 322ESCGGT1000\_DET.DWG

ISSUE DATE: January, 2008

[www.oldcastleprecast.com](http://www.oldcastleprecast.com)

**4'-0" x 10'-0" x 4'-6" I.D.  
Grease Interceptor  
1,000 Gallon Capacity**

Copyright © 2008 **Oldcastle Precast**