

Oldcastle Precast[®]

CST-1000

FILE NAME: 322ESCCST1000_ISO.DWG

ISSUE DATE: January, 2008

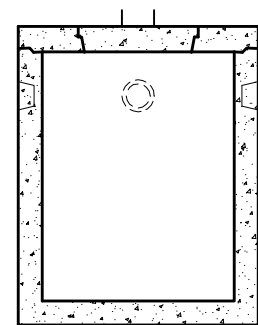
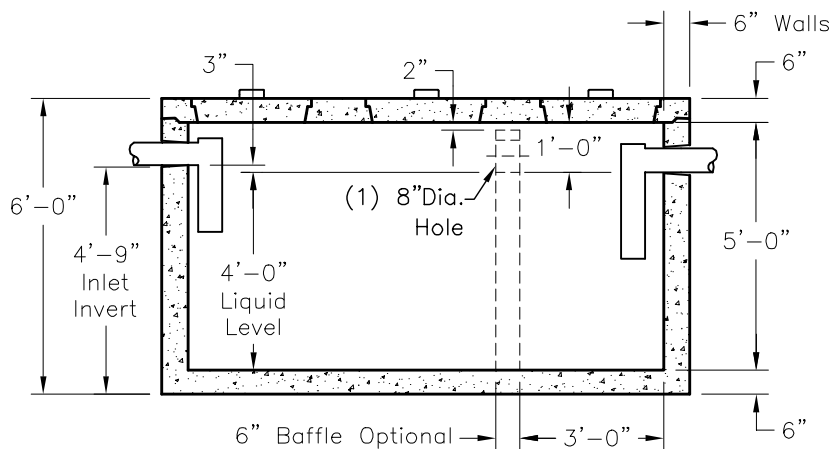
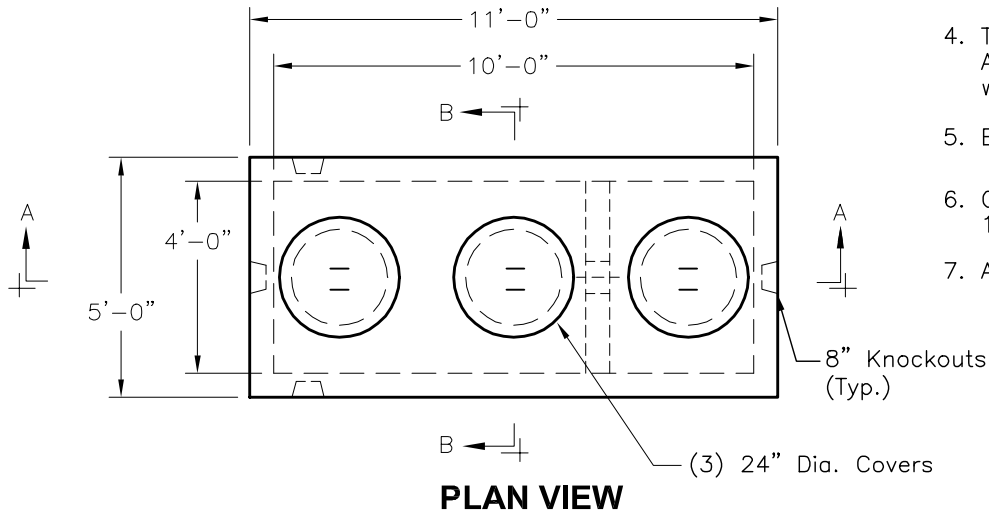
www.oldcastleprecast.com

4'-0" x 10'-0" x 5'-0" I.D.
Septic Tank
1,000 Gallon Capacity

Copyright © 2008 **Oldcastle Precast**[®]

DESIGN NOTES:

1. Concrete: 5,000 P.S.I
Minimum Strength @ 28 Days
2. Steel Reinforcing—ASTM A-615,
Grade 60
3. Cover to Steel—1" Minimum
4. Tanks are Designed to Meet
ASTM C858 and ACI 318
with AASHTO HS-20 Loading
5. Earth Cover—0 to 5 Feet Max.
6. Construction Joint Sealed with
1" Dia. Butyl Rubber or Equivalent
7. Approx. Wts: Top Slab = 2.3 Tons
Bottom Section = 8.5 Tons



CST-1000

FILE NAME: 322ESCCST1000_DET.DWG

ISSUE DATE: January, 2008

www.oldcastleprecast.com

**4'-0" x 10'-0" x 5'-0" I.D.
Septic Tank
1,000 Gallon Capacity**

Copyright © 2008 **Oldcastle Precast**