

**Oldcastle Precast®**

**MH 4X4X6**

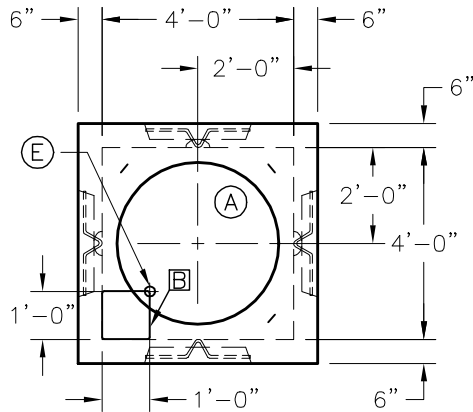
FILE NAME: 325UEEMH4X4-6\_ISO.DWG

ISSUE DATE: January, 2008

[www.oldcastleprecast.com](http://www.oldcastleprecast.com)

**4'-0" x 4'-0" x 6'-0" I.D.  
Manhole**

Copyright © 2008 **Oldcastle Precast®**



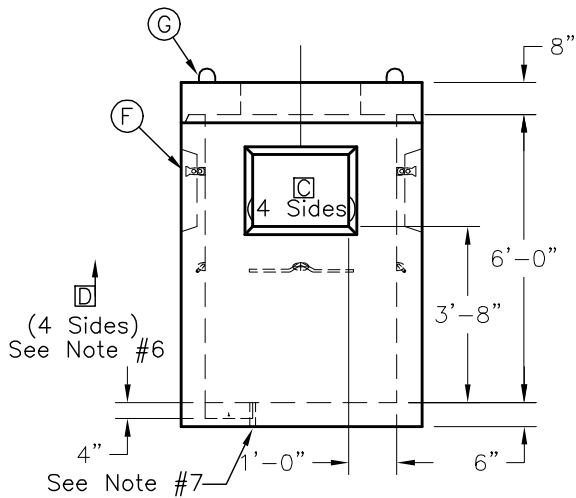
**PLAN VIEW**

GENERAL NOTES:

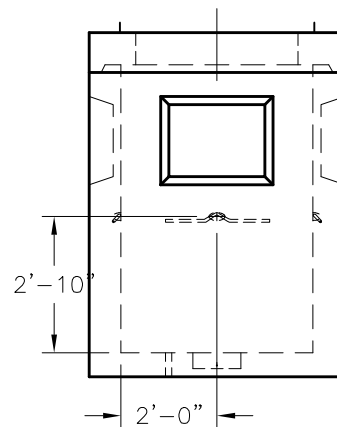
1. Concrete: 28 Day Compressive Strength  $f'_c = 5,000$  psi. Type III.
2. Rebar: Grade 60 Per ASTM A-615.
3. Design Loading: AASHTO HS20-44. 2' to 5' Cover.
4. General Contractor to Verify all Openings Sizes and Locations.
5. All Pipe and Roof Openings have Additional Rebar Reinforcement.
6. Cast Recessed Pulling Iron and Recessed Pulling Pocket. Opposite Each Knockout (4 Places).
7. Joint to be Sealed with 1" Butyl Rubber.

DATA CHART

LTR	QTY	Description
A	1	30 $\phi$ Opening
B	1	12" x 12" x 4" Deep Sump
C	4	18" x 24" Knockout
D	4	Recessed Pulling Eyes
E	1	1" Dia. Thru
F	8	Lifting Insert
G	4	Hooks Wire Lift



**SIDE ELEVATION**



**END ELEVATION**



**MH 4X4X6**

FILE NAME: 325UEEMH4X4-6\_DET.DWG

ISSUE DATE: January, 2008

[www.oldcastleprecast.com](http://www.oldcastleprecast.com)

**4'-0" x 4'-0" x 6'-0" I.D.  
Manhole**

Copyright © 2008 Oldcastle Precast