

LIFTING INSERT
(4) Required

LIFTING INSERT
(4) Required

ROOF
1,800 Lbs.

OPENING
52" X 14"

BOTTOM
4,000 Lbs.

3'-1"

KNOCKOUT
24" X 13"
(1) Required

6'-4"

4'-6"



Oldcastle Precast[®]

TPAD 547636

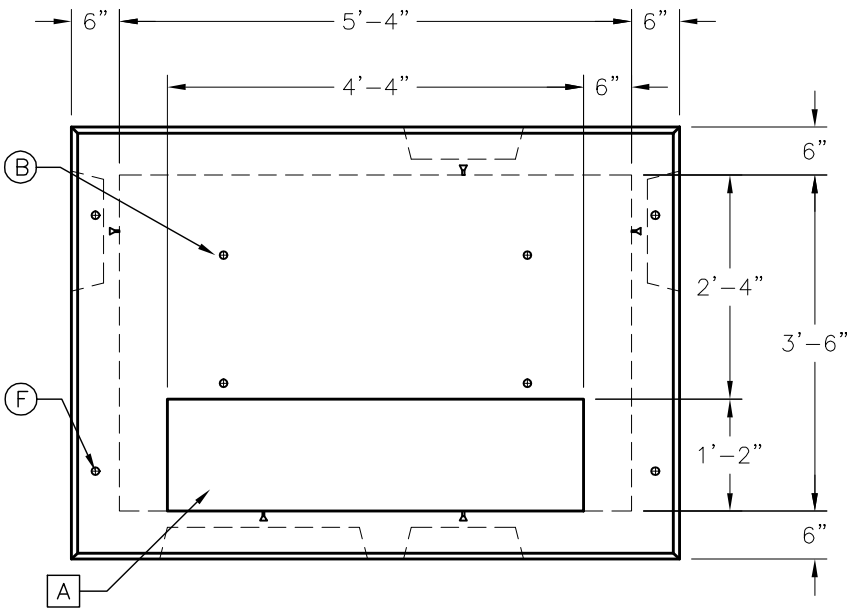
FILE NAME: 325UETP54_ISO.DWG

ISSUE DATE: January, 2008

www.oldcastleprecast.com

54" x 76" x 36"
Transformer Box Pad

Copyright © 2008 **Oldcastle Precast**[®]



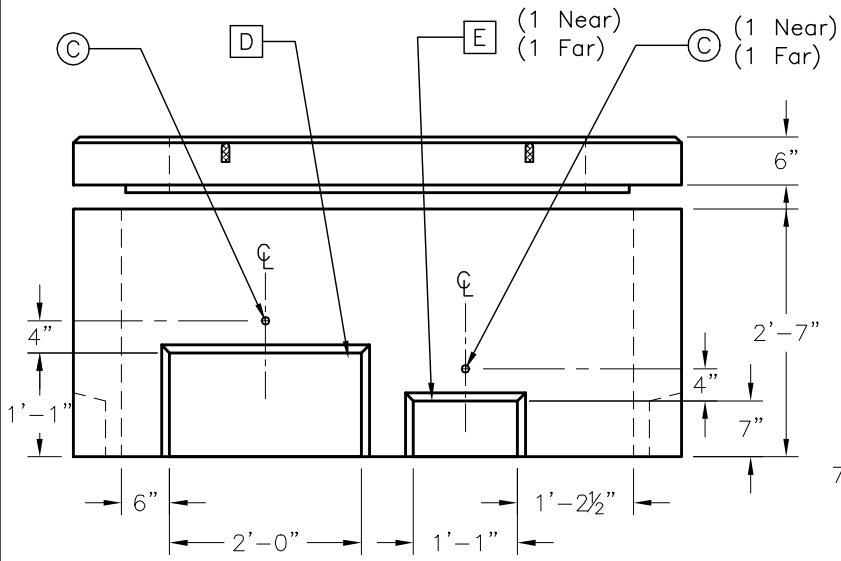
PLAN VIEW

GENERAL NOTES:

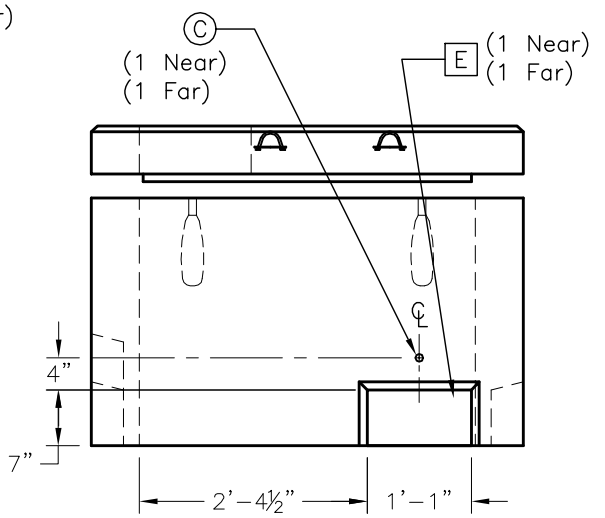
1. Concrete: 28 Day Compressive Strength $f'_c = 5,000$ psi.
2. Rebar: Grade 60 Per ASTM A615.
3. Design Loading: AASHTO HS20-44.
4. General Contractor to Verify all Openings Sizes and Locations.
5. All Knockout and Roof Openings have Additional Rebar Reinforcement.
6. Broom Finish

DATA CHART

LTR	QTY	Description
A	1	52" x 14" Opening
B	4	5" Utility Anchor (Roof)
C	6	3/4" ϕ - 10 Plastic Insert
D	1	24" x 13" Knockout
E	4	13" x 7" Knockout
F	4	Lifting Insert (Bottom)



SIDE ELEVATION



END ELEVATION



TPAD 547636

FILE NAME: 325UETP54_DET.DWG
 ISSUE DATE: January, 2008
www.oldcastleprecast.com

54" x 76" x 36"
Transformer Box Pad
5,800 Lbs.

Copyright © 2008 **Oldcastle Precast**