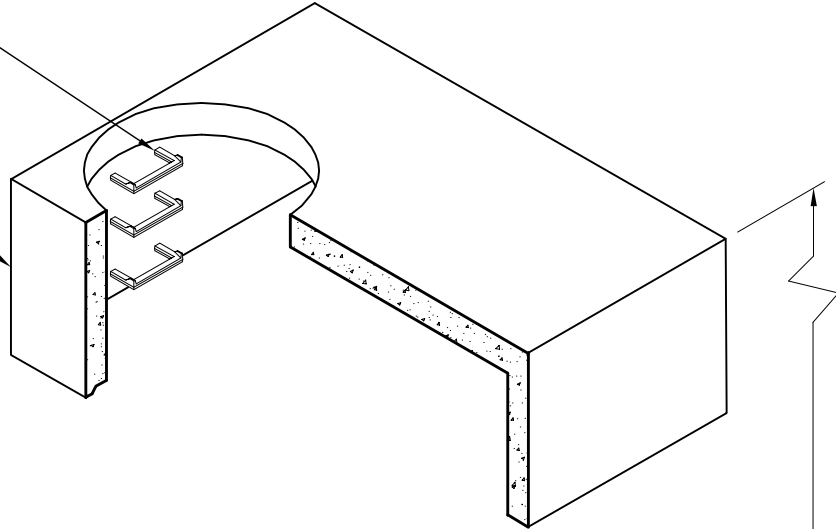


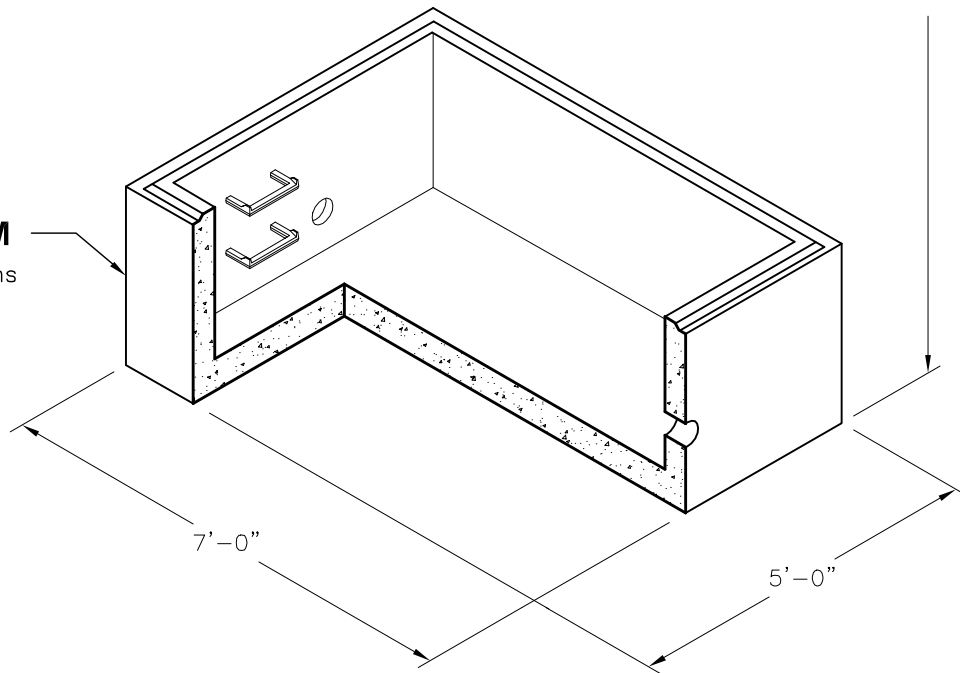
LADDER RUNGS

Provided by Oldcastle

TOP
4.2 Tons



BOTTOM
4.2 Tons



Oldcastle Precast[®]

MP4X6X6

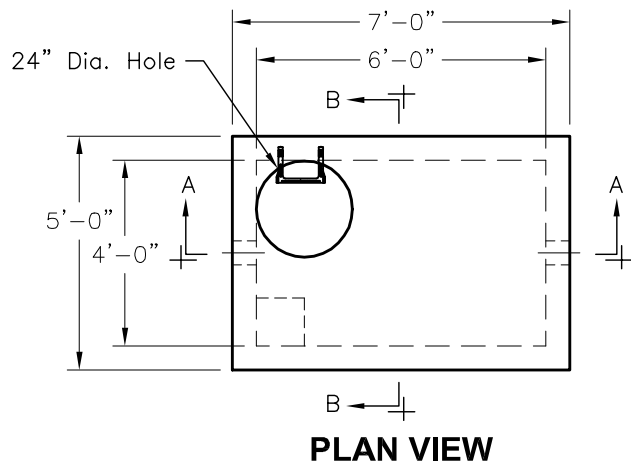
FILE NAME: 324UWVMP4X6X6_ISO.DWG

ISSUE DATE: January, 2008

www.oldcastleprecast.com

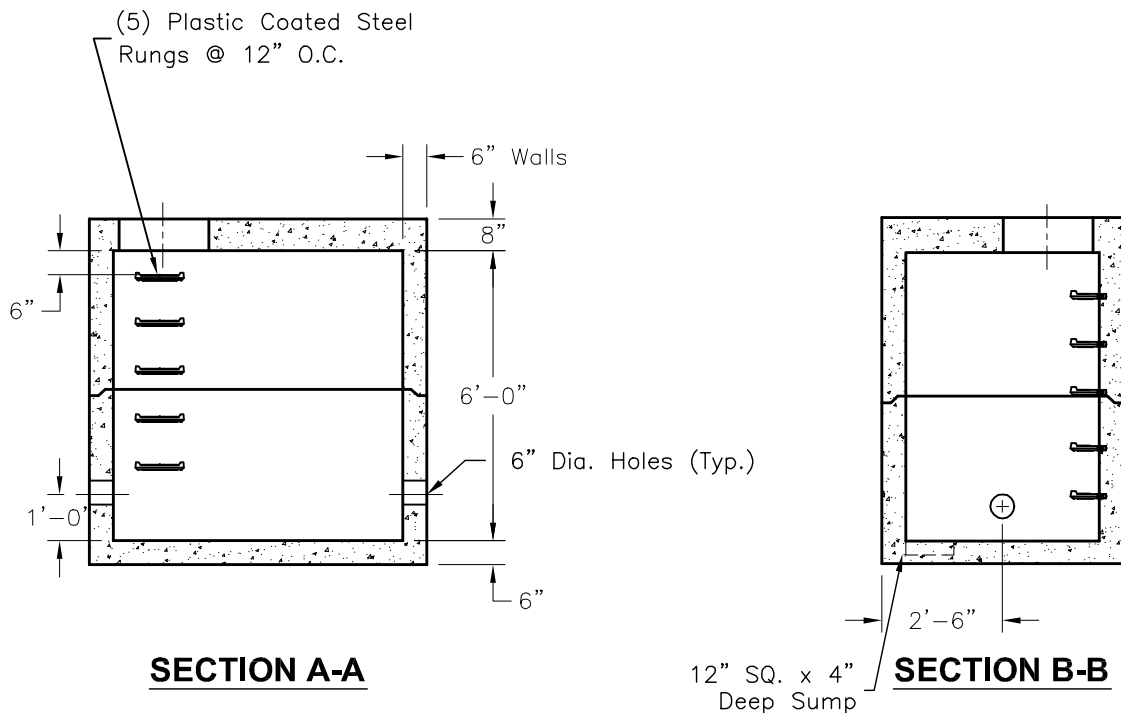
**4'-0" x 6'-0" x 6'-0" I.D.
Meter Pit**

Copyright © 2008 **Oldcastle Precast**[®]



NOTES:

1. Concrete : 5,000 P.S.I
Minimum Strength @ 28 Days
2. Steel Reinforcing- ASTM A-615,
Grade 60.
3. Cover to Steel-1" Minimum
4. Vault are Designed to Meet ASTM
C858 and ACI 318 with AASHTO
HS-20 Loading
5. Construction Joint-Sealed with
Butyl Rubber Resin or Equivalent
6. Approx. Wt. Top Section = 4.2 Tons
Approx. Wt Bottom Section = 3.8 Tons



MP4X6X6

FILE NAME: 324UWVMP4X6X6_DET.DWG

ISSUE DATE: January, 2008

www.oldcastleprecast.com

**4'-0" x 6'-0" x 6'-0" I.D.
Meter Pit**

Copyright © 2008 **Oldcastle Precast**