

**Oldcastle Precast**<sup>®</sup>

**MH 4X6X7**

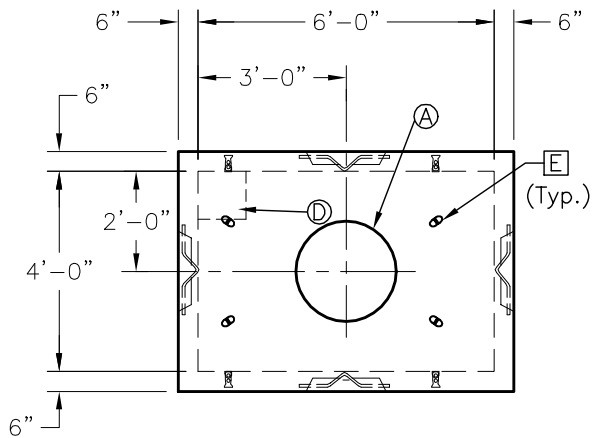
FILE NAME: 325UEEMH4X6X7\_ISO.DWG

ISSUE DATE: January, 2008

[www.oldcastleprecast.com](http://www.oldcastleprecast.com)

**4'-0" x 6'-0" x 7'-0" I.D.  
Electric Manhole**

Copyright © 2008 **Oldcastle Precast**<sup>®</sup>



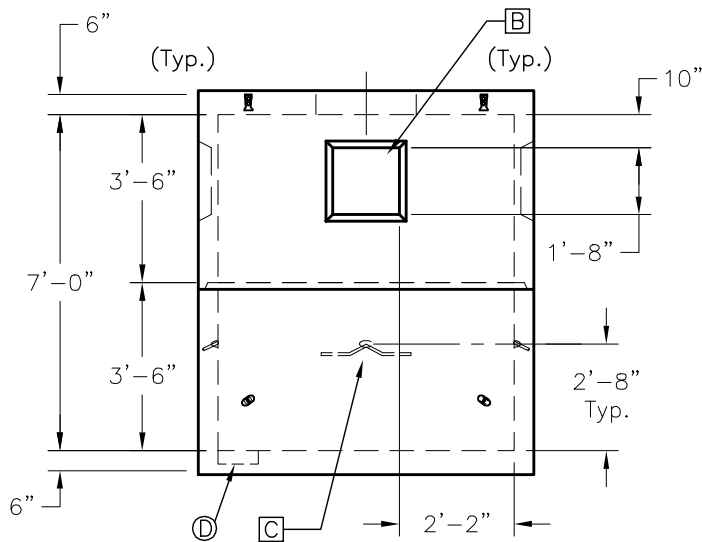
**PLAN VIEW**

GENERAL NOTES:

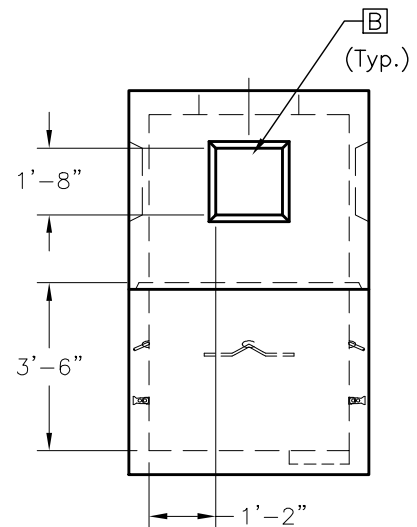
1. Concrete: 28 Day Compressive Strength  $f'_c = 5,000$  psi.
2. Rebar: Grade 60 Per ASTM A615.
3. Design Loading: HS20.
4. Earth Cover: 2'-0" to 5'-0"
5. General Contractor to Verify all Openings Sizes and Locations.
6. All Pipe and Roof Openings have Additional Rebar Reinforcement.
7. Joint to be Sealed with 1" Butyl Rubber.

DATA CHART

LTR	QTY	Description
(A)	1	30" $\phi$ Opening
(B)	4	20" x 20" Knockout
(C)	4	Standard Recessed Pulling Iron
(D)	1	12" Square Sump x 4" Deep
(E)	8	Lifting Insert



**SIDE ELEVATION**



**END ELEVATION**



**MH 4X6X7**

FILE NAME: 325UEEMH4X6X7\_DET.DWG

ISSUE DATE: January, 2008

[www.oldcastleprecast.com](http://www.oldcastleprecast.com)

**4'-0" x 6'-0" x 7'-0" I.D.  
Electric Manhole**

Copyright © 2008 Oldcastle Precast