

**Oldcastle Precast**<sup>®</sup>

**FD4X8-D**

FILE NAME: 324ESGFD4X8-D\_ISO.DWG

ISSUE DATE: January, 2008

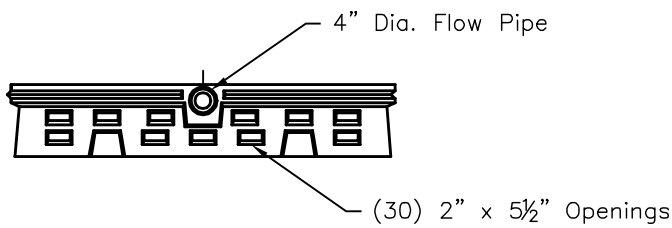
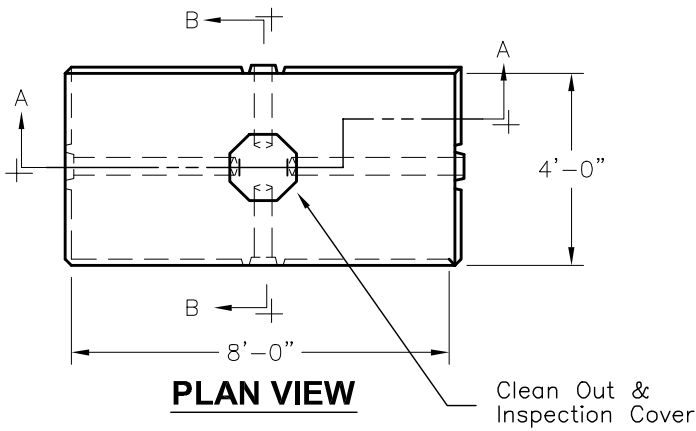
[www.oldcastleprecast.com](http://www.oldcastleprecast.com)

**4'-0" x 8'-0" x 1'-6"**  
**Flowdiffusor**

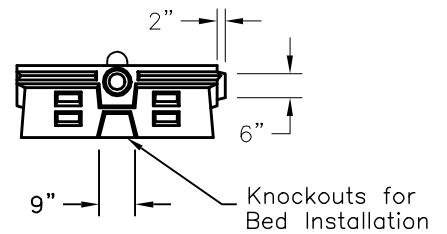
Copyright © 2008 **Oldcastle Precast**<sup>®</sup>

GENERAL NOTES:

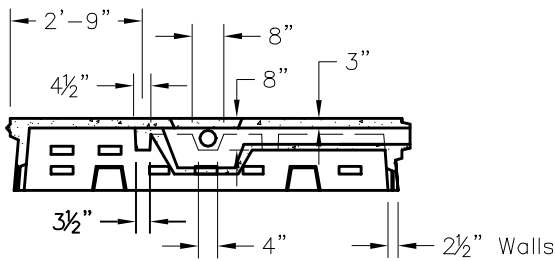
1. Concrete: 28 Day Compressive Strength  $f'c = 4,000$  psi
2. Steel Reinforcement: ASTM A-615, Grade 60
3. Cover to Steel-1" Minimum
4. Design Loading-HS-20
5. Earth Cover-1 to 5 Feet Max.
6. Construction Joint-Lapped
7. Approximate Wt. = 1.20 Tons



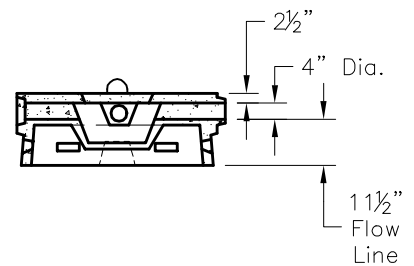
**FRONT VIEW**



**SIDE VIEW**



**SECTION A-A**



**SECTION B-B**



**FD4X8-D**

FILE NAME: 324ESGFD4X8-D\_DET.DWG

ISSUE DATE: January, 2008

[www.oldcastleprecast.com](http://www.oldcastleprecast.com)

**4'-0" x 8'-0" x 1'-6"**  
**Flowdiffusor**

Copyright © 2008 **Oldcastle Precast**