

Oldcastle Precast[®]

GT-1500

FILE NAME: 324ECGGT1500_ISO.DWG

ISSUE DATE: January, 2008

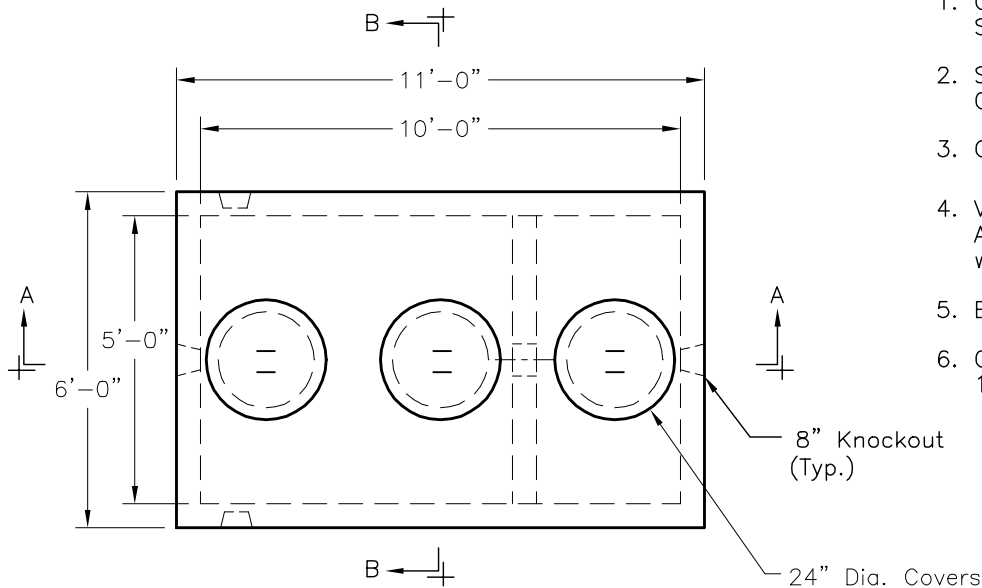
www.oldcastleprecast.com

5'-0" x 10'-0" x 5'-1" I.D.
Grease Interceptor
1,500 Gallon Capacity

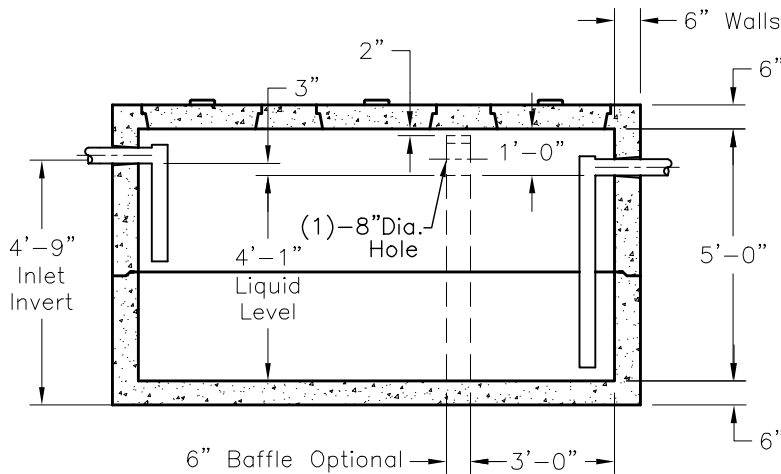
Copyright © 2008 **Oldcastle Precast**[®]

GENERAL NOTES:

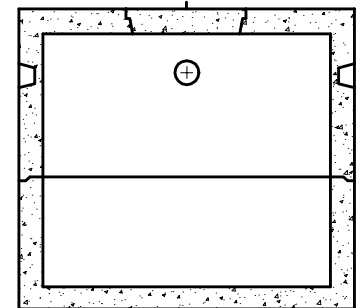
1. Concrete: 28 Day Compressive Strength $f'_c = 5,000$ psi
2. Steel Reinforcement: ASTM A-615, Grade 60
3. Cover to Steel-1" Minimum
4. Vaults are Designed to Meet ASTM C858 and ACI 318 with AASHTO HS-20 Loading
5. Earth Cover-0 to 5 Feet Max.
6. Construction Joint Sealed with 1" Dia. Butyl Rubber or Equivalent



PLAN VIEW



SECTION A-A



SECTION B-B



GT-1500

FILE NAME: 324ECGGT1500_DET.DWG

ISSUE DATE: January, 2008

www.oldcastleprecast.com

5'-0" x 10'-0" x 5'-0" I.D.
Grease Trap
1,500 Gallon Capacity

Copyright © 2008 **Oldcastle Precast**