

TOP
2.3 Tons

BOTTOM
8.5 Tons

11'-0"

6'-0"

6'-0"



Oldcastle Precast[®]

CST-1500

FILE NAME: 324ESCCST1500_ISO.DWG

ISSUE DATE: January, 2008

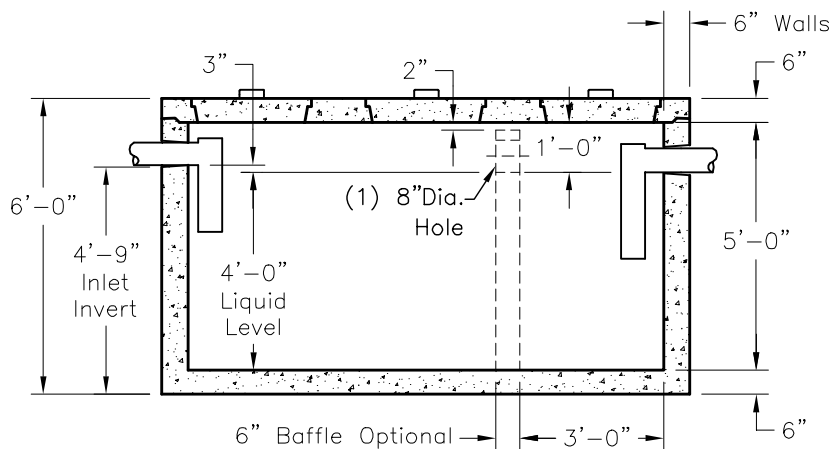
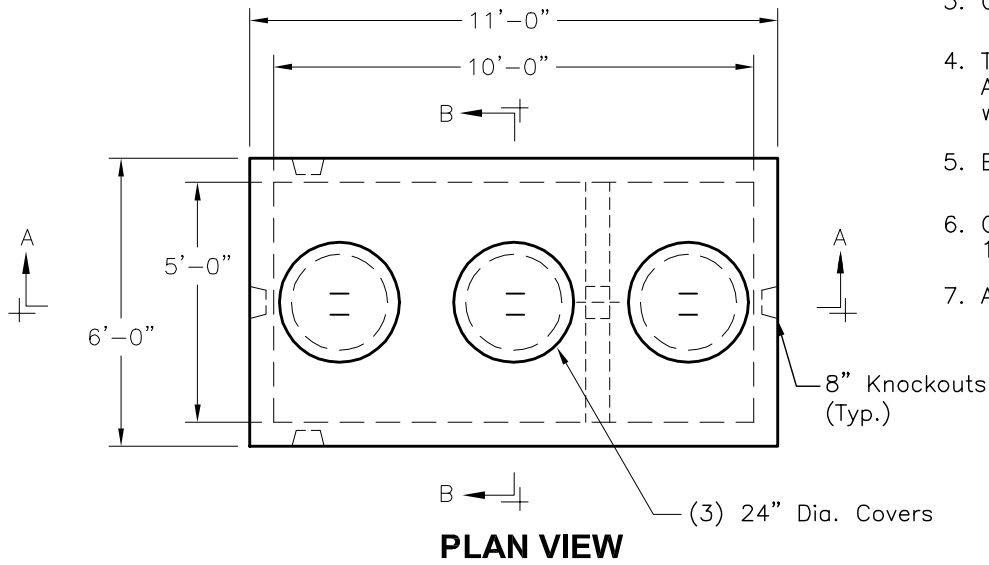
www.oldcastleprecast.com

**5'-0" x 10'-0" x 5'-0" I.D.
Septic Tank
1,500 Gallon Capacity**

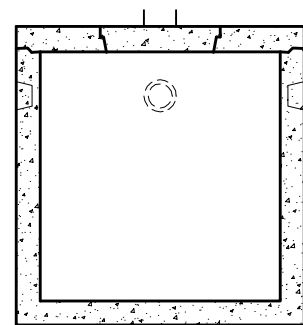
Copyright © 2008 **Oldcastle Precast**[®]

GENERAL NOTES:

1. Concrete: 5,000 P.S.I
Minimum Strength @ 28 Days
2. Steel Reinforcing—ASTM A-615,
Grade 60
3. Cover to Steel—1" Minimum
4. Tanks are Designed to Meet
ASTM C858 and ACI 318
with AASHTO HS-20 Loading
5. Earth Cover—0 to 5 Feet Max.
6. Construction Joint Sealed with
1" Dia. Butyl Rubber or Equivalent
7. Approx. Wts: Top Slab = 2.3 Tons
Bottom Section = 8.5 Tons



SECTION A-A



SECTION B-B



CST-1500

FILE NAME: 324ESCCST1500_DET.DWG

ISSUE DATE: January, 2008

www.oldcastleprecast.com

**5'-0" x 10'-0" x 5'-0" I.D.
Septic Tank
1,500 Gallon Capacity**

Copyright © 2008 **Oldcastle Precast**