

**LADDER RUNGS**  
Provided by Oldcastle

Removable Cover

**TOP**  
6.9 Tons

**BOTTOM**  
6.9 Tons

7'-4"

6'-0"

11'-0"



**Oldcastle Precast**<sup>®</sup>

**MP5X10X6**

FILE NAME: 324UWVMP5X10X6\_ISO.DWG

ISSUE DATE: January, 2008

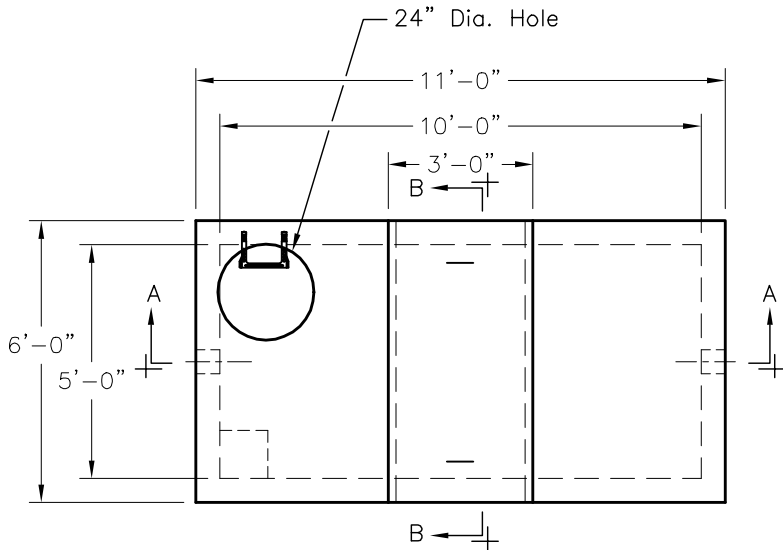
[www.oldcastleprecast.com](http://www.oldcastleprecast.com)

**5'-0" x 10'-0" x 6'-0" I.D.  
Meter Pit**

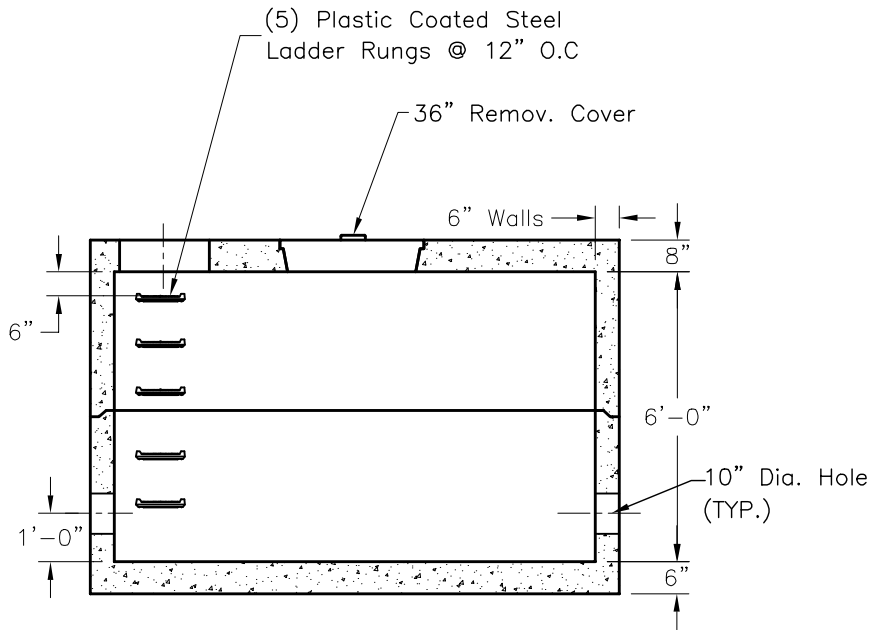
Copyright © 2008 **Oldcastle Precast**<sup>®</sup>

**NOTES:**

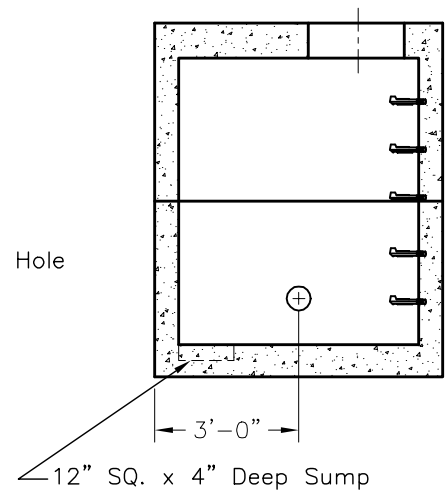
1. Concrete : 5,000 P.S.I  
Minimum Strength@ 28 Days
2. Steel Reinforcing- ASTM A-615,  
Grade 60.
3. Cover to Steel-1" Minimum
4. Vault are Designed to Meet ASTM  
C858 and ACI 318 with AASHTO  
HS-20 Loading
5. Construction Joint-Sealed with  
Butyl Rubber Resin or Equivalent
6. Approx. Wt. Top Pc. = 6.9 Tons  
Approx. Wt. Bottom Pc. = 6.1 Tons



**PLAN VIEW**



**SECTION A-A**



**SECTION B-B**



**MP5X10X6**

FILE NAME: 324UWVMP5X10X6\_DET.DWG

ISSUE DATE: January, 2008

[www.oldcastleprecast.com](http://www.oldcastleprecast.com)

**5'-0" x 10'-0" x 6'-0" I.D.  
Meter Pit**

Copyright © 2008 **Oldcastle Precast**