

NOTE
 Inside Height as Specified
 Inside Roof, Floor and Side Wall Openings as Specified
 Maximum inside Height for 2 Piece Manhole 10'-0"
 Maximum inside Height of Each Additional Piece 5'-0"



Oldcastle Precast®

MH5X10

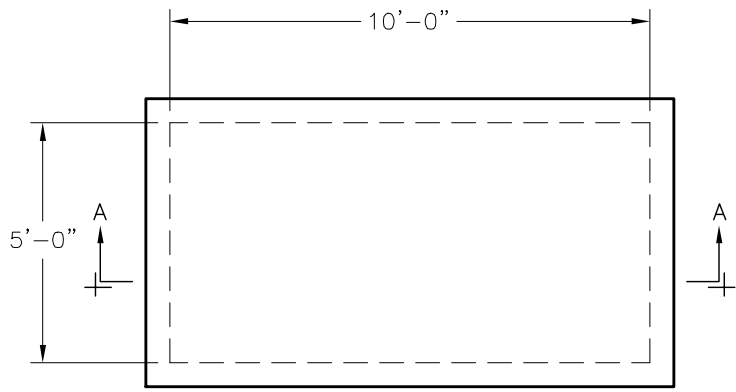
FILE NAME: 324UCPMH5X10_ISO.DWG

ISSUE DATE: January, 2008

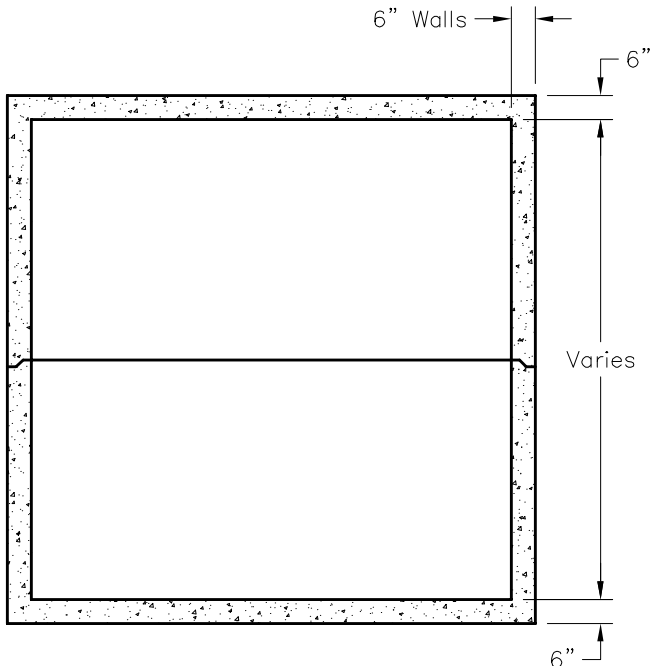
www.oldcastleprecast.com

**5'-0" x 10'-0" x Variable I.D.
 Utility Vault**

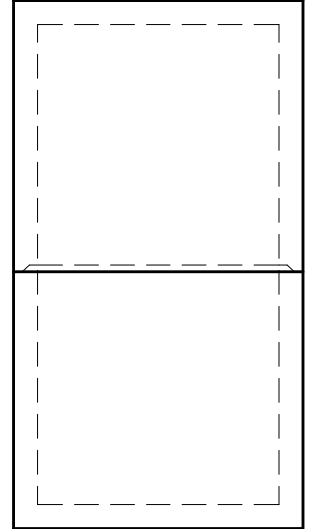
Copyright © 2008 **Oldcastle Precast®**



PLAN VIEW



SECTION A-A



END VIEW

NOTES:

1. Concrete: 5,000 P.S.I
Minimum Strength @ 28 Days
2. Steel Reinforcement: ASTM A-615,
Grade 60
3. Cover to Steel - 1"
4. Vault Designed to Meet
ASTM C858 and ACI 318
with AASHTO HS-20 Loading
5. Earth Cover - 0 to 5 Feet Max.
6. Construction Joint Sealed with
1" Dia. Butyl Rubber or Equivalent
7. Wall Thickness Available in 6", 8"
& 10"



MH5X10

FILE NAME: 324UCPMH5X10_DET.DWG

ISSUE DATE: January, 2008

www.oldcastleprecast.com

**5'-0" x 10'-0" x Variable I.D.
Utility Vault**

Copyright © 2008 **Oldcastle Precast**