

Oldcastle Precast®

TPAD 707636

FILE NAME: 325UETP70_ISO.DWG

ISSUE DATE: January, 2008

www.oldcastleprecast.com

**70" x 76" x 36"
Transformer Box Pad
6,750 Lbs.**

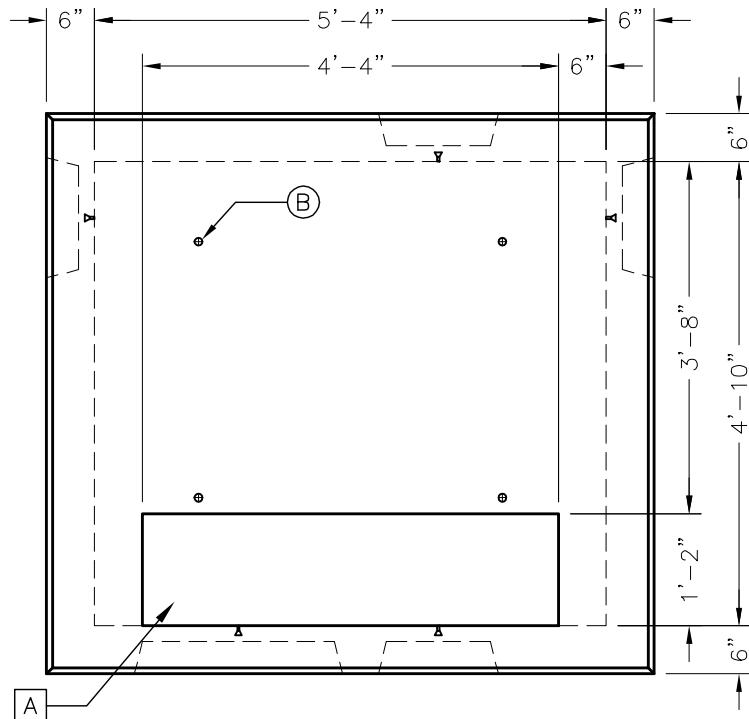
Copyright © 2008 **Oldcastle Precast®**

GENERAL NOTES:

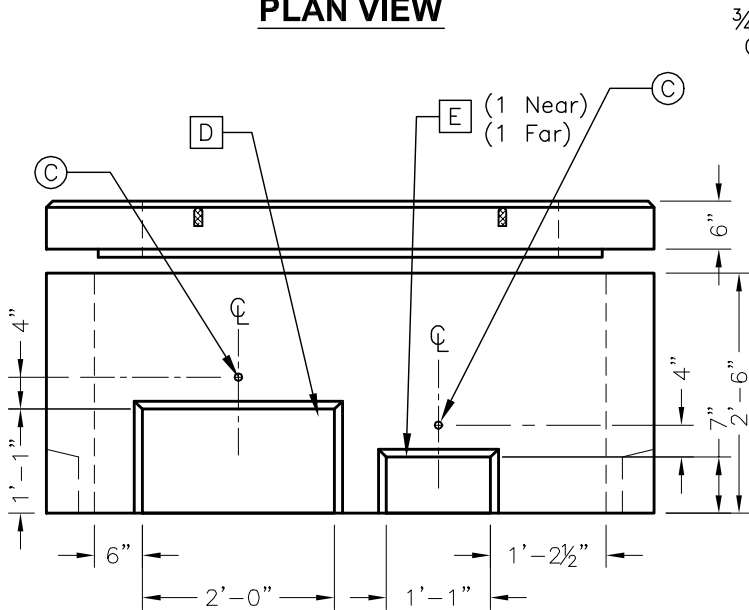
1. Concrete: 28 Day Compressive Strength $f'_c = 5,000$ psi.
2. Rebar: Grade 60 Per ASTM A615.
3. Design Loading: AASHTO HS20-44.
4. General Contractor to Verify all Openings Sizes and Locations.
5. All Knockout and Roof Openings have Additional Rebar Reinforcement.

DATA CHART

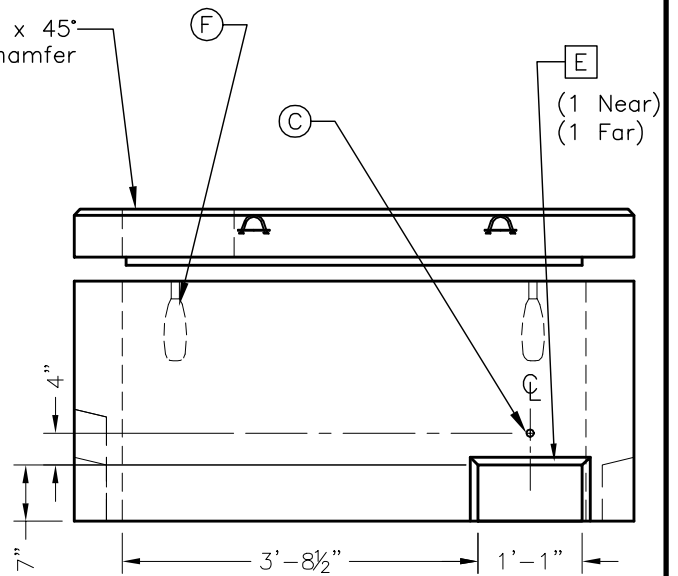
LTR	QTY	Description
A	1	52" x 14" Opening
B	4	5" Utility Anchors
C	6	$\frac{3}{4}" \phi - 10$ Unc Plastic Roof Insert
D	1	24" x 13" Knockout
E	4	13" x 7" Knockout
F	4	$\frac{3}{4}" \times 12"$ Loops



PLAN VIEW



SIDE ELEVATION



END ELEVATION



Oldcastle Precast®

TPAD 707636

FILE NAME: 325UETP70_DET.DWG

ISSUE DATE: January, 2008

www.oldcastleprecast.com

**70" x 76" x 36"
Transformer Box Pad
6,750 Lbs.**

Copyright © 2008 **Oldcastle Precast®**