

Oldcastle Precast[®]

TPAD 628536

FILE NAME: 325UETP62_ISO.DWG

ISSUE DATE: January, 2008

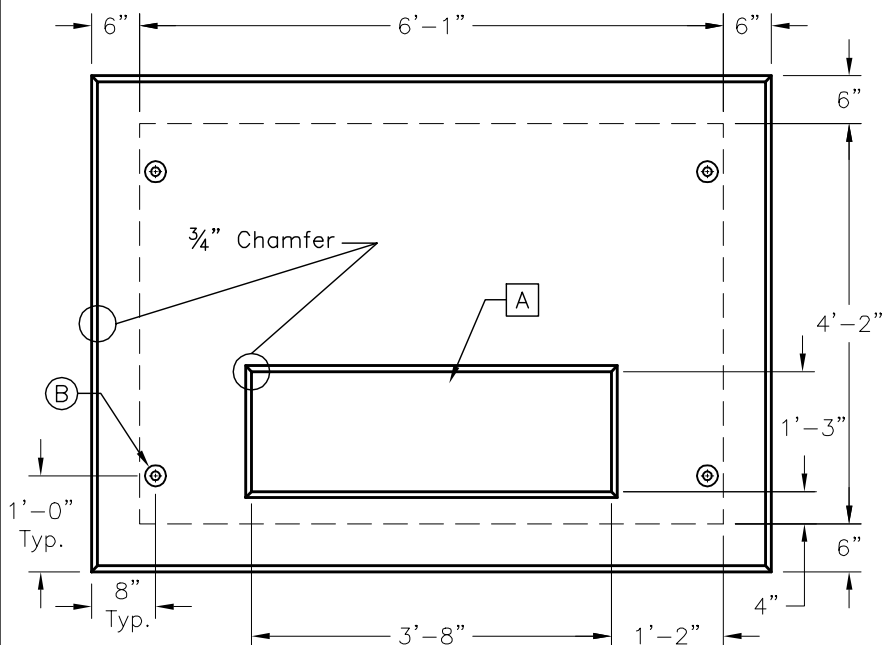
www.oldcastleprecast.com

62" x 85" x 36"
Transformer Box Pad
NGRID
6,550 Lbs

Copyright © 2008 **Oldcastle Precast**[®]

GENERAL NOTES:

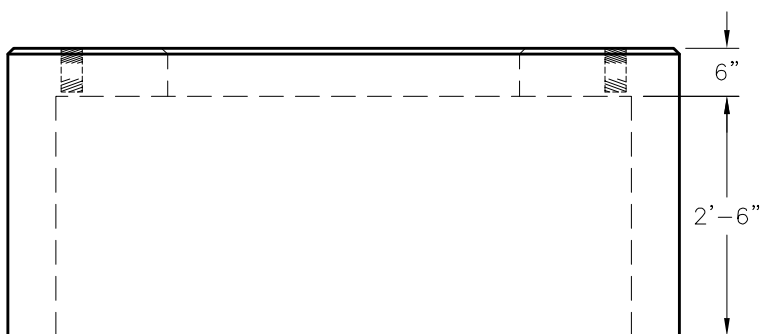
1. Concrete: 28 Day Compressive Strength $f'_c = 5,000$ psi. Type III.
2. Rebar: Grade 60 Per ASTM A615 (Black).
3. General Contractor to Verify all Openings Sizes and Locations.
4. Additional Reinforcement Around all Openings.
5. Any Hardware Shown But not Dimensioned is for Visual Reference Only Do not Scale for Placement.



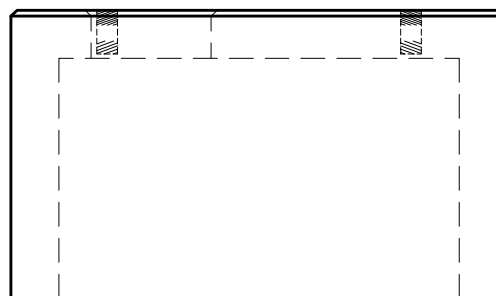
PLAN VIEW

DATA CHART

LTR	QTY	Description
(A)	1	1'-3" x 3'-8" Opening
(B)	4	Lifting Insert



ELEVATION VIEW



END VIEW



TPAD 628536

FILE NAME: 325UETP62_DET.DWG

ISSUE DATE: January, 2008

www.oldcastleprecast.com

62" x 85" x 36"
Transformer Box Pad
NGRID
6,550 Lbs

Copyright © 2008 **Oldcastle Precast**