

Oldcastle Precast[®]

GT-2500

FILE NAME: 324ECCGT2500_ISO.DWG

ISSUE DATE: January, 2008

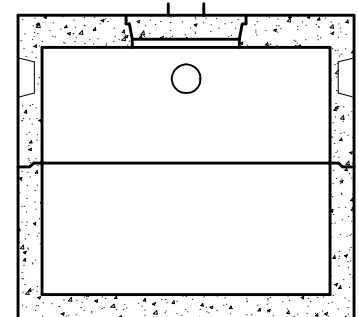
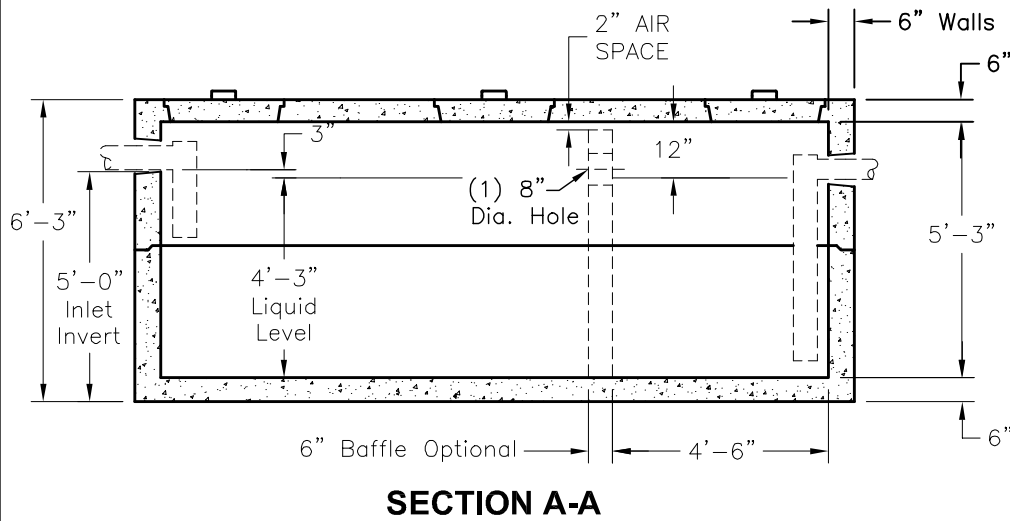
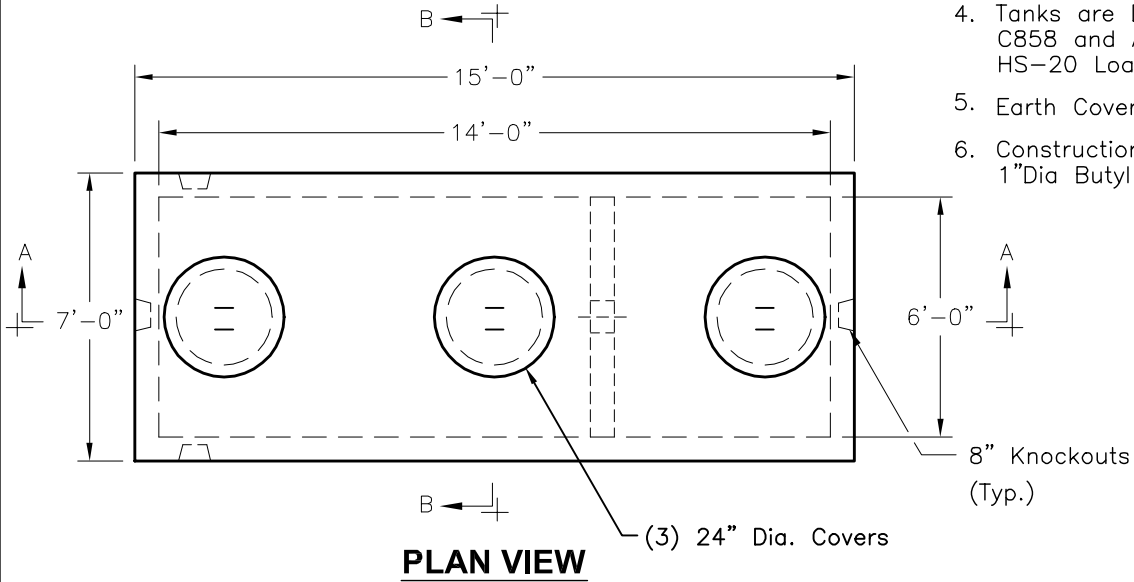
www.oldcastleprecast.com


6'-0" x 14'-0" x 5'-3" I.D.
Grease Trap
2,500 Gallon Capacity

Copyright © 2008 **Oldcastle Precast**[®]

NOTES:

1. Concrete : 5,000 P.S.I
Minimum Strength @ 28 Days
2. Steel Reinforcing- ASTM A-615,
Grade 60.
3. Cover to Steel-1" Minimum
4. Tanks are Designed to Meet ASTM
C858 and ACI 318 With AASHTO
HS-20 Loading
5. Earth Cover -0 to 5 Feet Max.
6. Construction Joint-Sealed with
1" Dia Butyl Rubber or Equivalent



 Oldcastle Precast®	GT-2500	6'-0" x 14'-0" x 5'-3" I.D. Grease Trap 2,500 Gallon Capacity Copyright © 2008 Oldcastle Precast®
	FILE NAME: 324ECCGT2500_DET.DWG	
	ISSUE DATE: January, 2008	
	www.oldcastleprecast.com	