

**LADDER RUNGS**

Provided by Oldcastle

Removable Cover

**TOP**  
10.0 Tons

**BOTTOM**  
8.7 Tons

7'-4"

7'-0"

15'-0"



**Oldcastle Precast**<sup>®</sup>

**MP6X14X6**

FILE NAME: 324UWVMP6X14X6\_ISO.DWG

ISSUE DATE: January, 2008

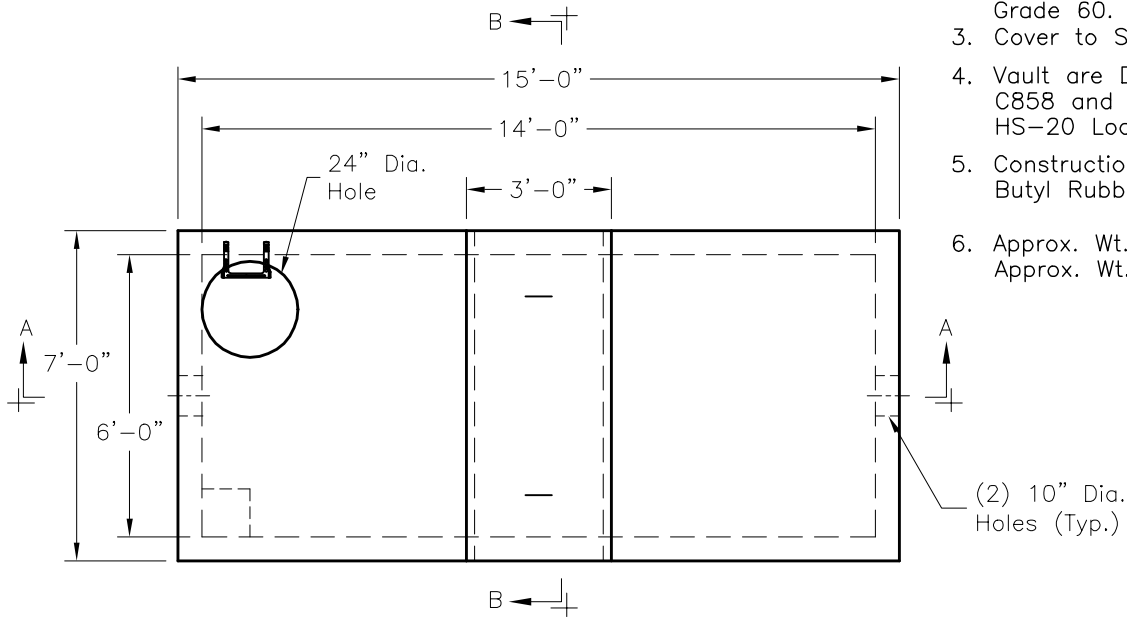
[www.oldcastleprecast.com](http://www.oldcastleprecast.com)

**6'-0" x 14'-0" x 6'-0" I.D.  
Meter Pit**

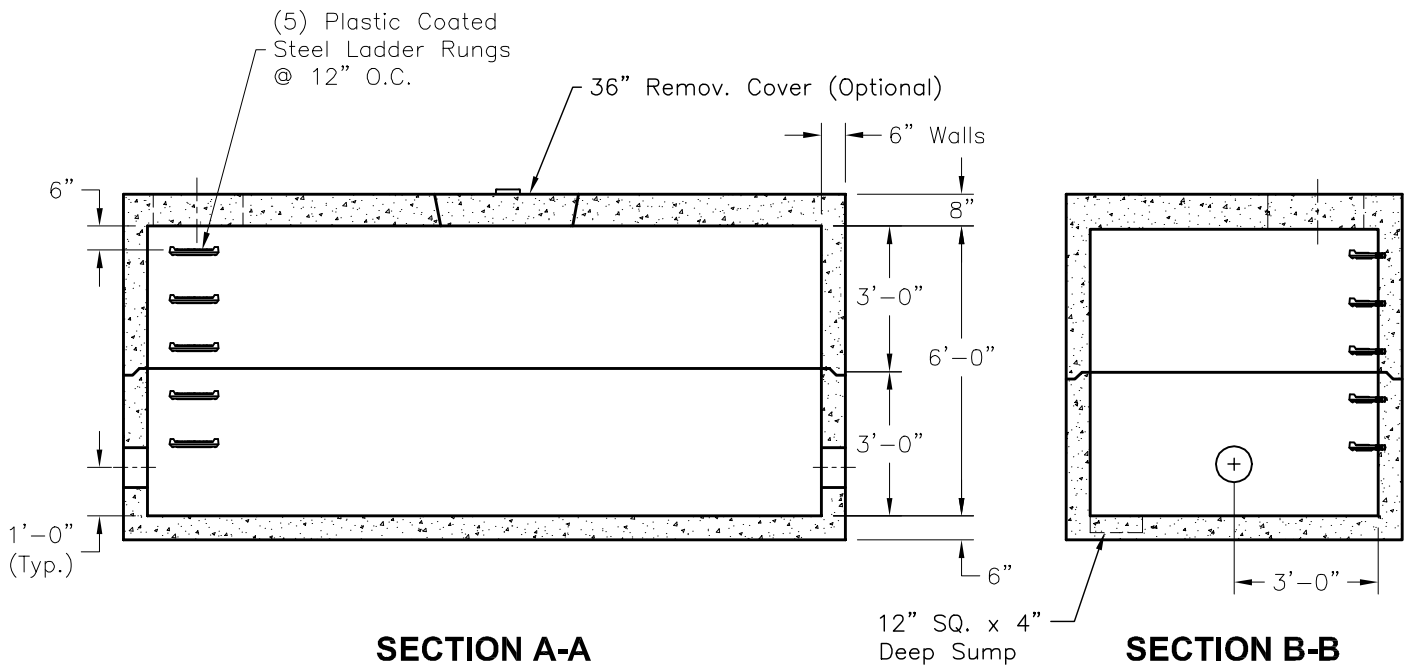
Copyright © 2008 **Oldcastle Precast**<sup>®</sup>

**NOTES:**

1. Concrete : 5,000 P.S.I  
Minimum Strength @ 28 Days
2. Steel Reinforcing- ASTM A-615,  
Grade 60.
3. Cover to Steel-1" Minimum
4. Vault are Designed to Meet ASTM  
C858 and ACI 318 With AASHTO  
HS-20 Loading
5. Construction Joint-Sealed with  
Butyl Rubber Resin or Equivalent
6. Approx. Wt. Top = 10.0 Tons  
Approx. Wt. Bottom = 8.7 Tons



**PLAN VIEW**



**SECTION A-A**

**SECTION B-B**



**MP6X14X6**

**6'-0" x 14'-0" x 6'-0" I.D.  
Meter Pit**

FILE NAME: 324UWVMP6X14X6\_DET.DWG

ISSUE DATE: January, 2008

[www.oldcastleprecast.com](http://www.oldcastleprecast.com)

Copyright © 2008 Oldcastle Precast