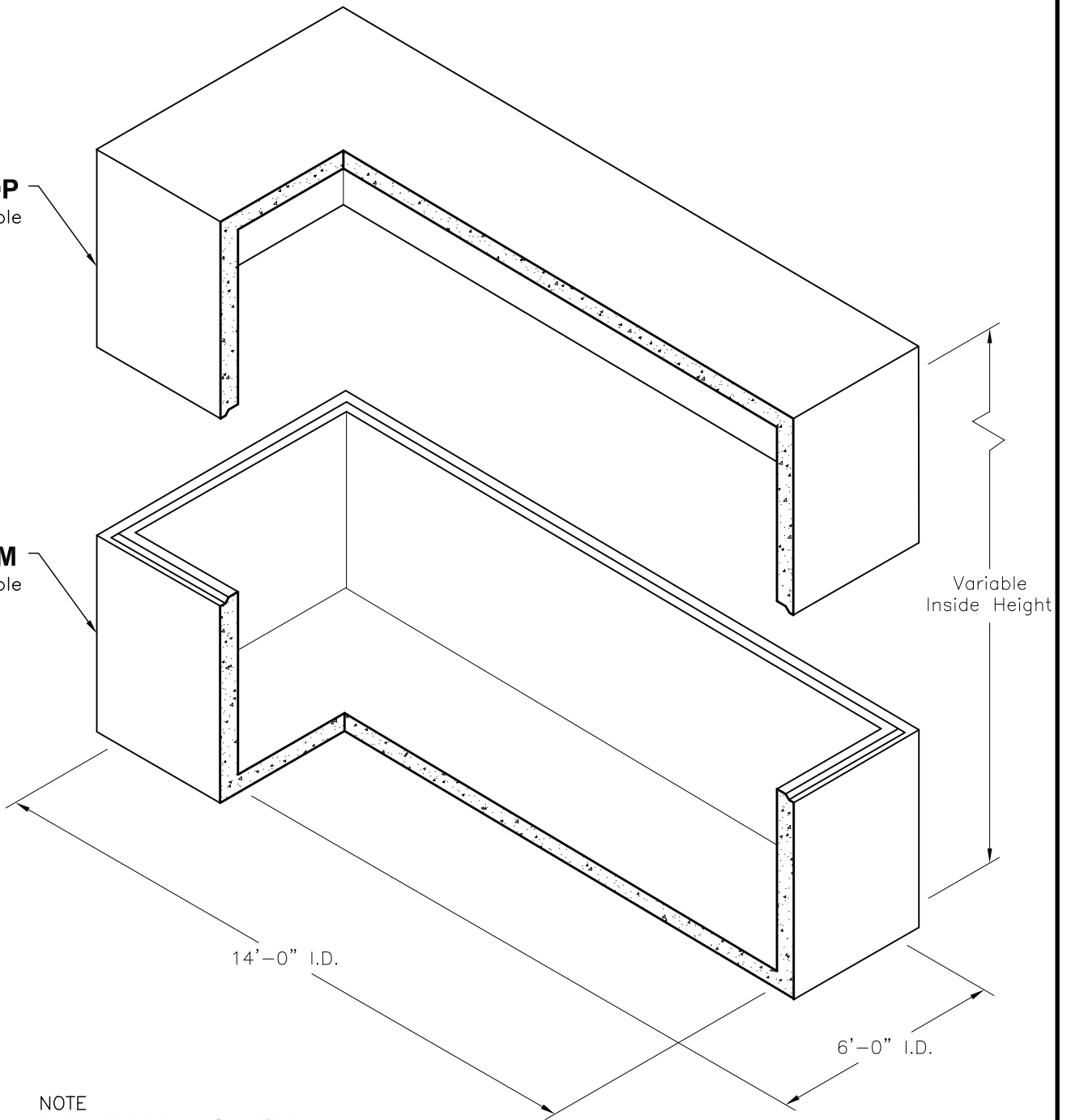


**TOP**  
WT. Variable

**BOTTOM**  
WT. Variable



NOTE  
Inside Height as Specified  
Inside Roof, Floor and Side Wall Openings as Specified

Maximum inside Height for 2 Piece Manhole 12'-0"  
Maximum inside Height of Each Additional Piece 6'-0"



**Oldcastle Precast**<sup>®</sup>

**MH6X14**

FILE NAME: 324UCPMH6X14\_ISO.DWG

ISSUE DATE: January, 2008

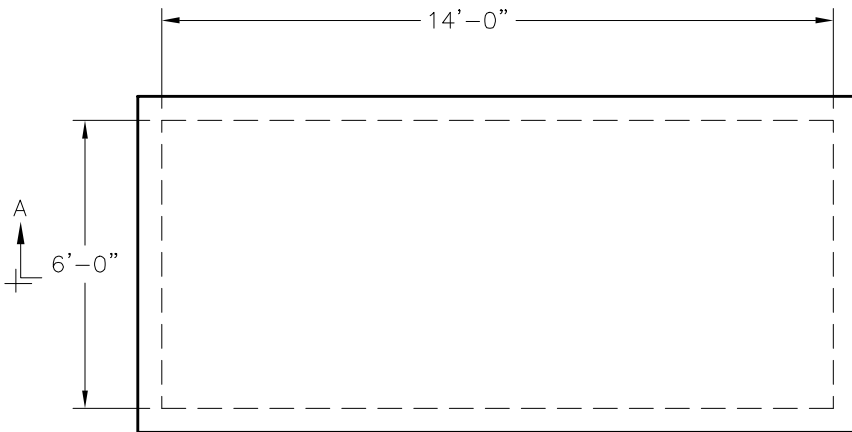
[www.oldcastleprecast.com](http://www.oldcastleprecast.com)

**6'-0" x 14'-0" x Variable I.D.**  
**Utility Vault**

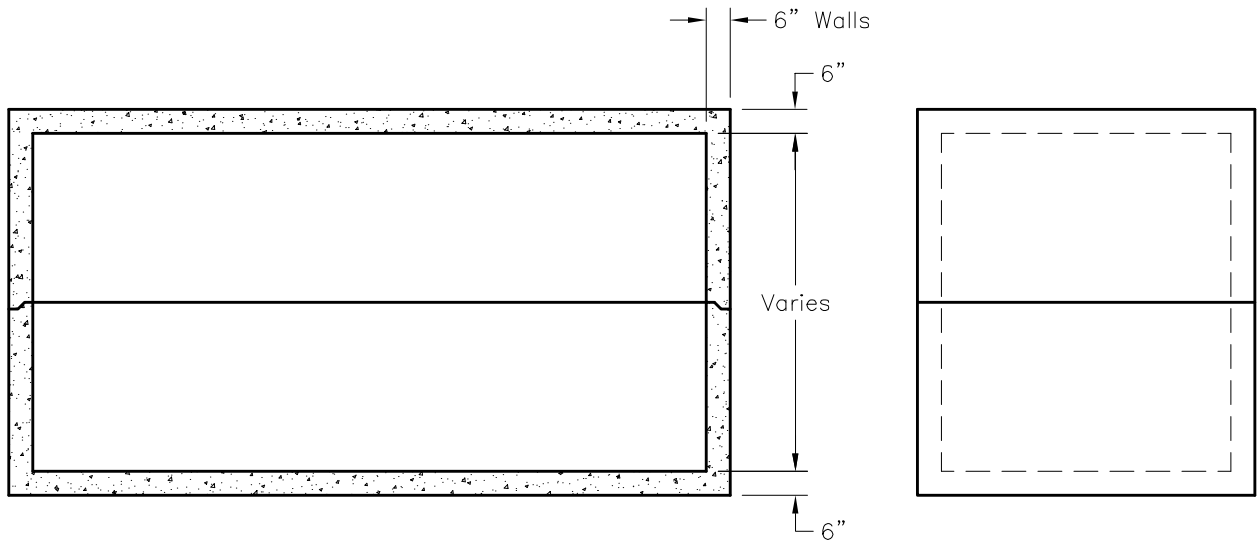
Copyright © 2008 **Oldcastle Precast**<sup>®</sup>

**NOTES:**

1. Concrete : 5,000 P.S.I  
Minimum Strength @ 28 Days
2. Steel Reinforcing- ASTM A-615,  
Grade 60.
3. Cover to Steel-1" Minimum
4. Vault are Designed to Meet ASTM  
C858 and ACI 318 with Aashto  
HS-20 Loading
5. Earth Cover -0 to 5 Feet Max.  
Minimum
6. Construction Joint-Sealed with  
1"Dia Butyl Rubber or Equivalent
7. Wall Thickness Available in 6"



**PLAN VIEW**



**SECTION A-A**

**END VIEW**



**MH6X14**

FILE NAME: 324UCPMH6X14\_DET.DWG

ISSUE DATE: January, 2008

[www.oldcastleprecast.com](http://www.oldcastleprecast.com)

**6'-0" x 14'-0" x Variable I.D.  
Utility Vault**

Copyright ©2008 **Oldcastle** Precast