

**Oldcastle Precast**<sup>®</sup>

**CST-1000**

FILE NAME: 324ESCCST1000\_ISO.DWG

ISSUE DATE: January, 2008

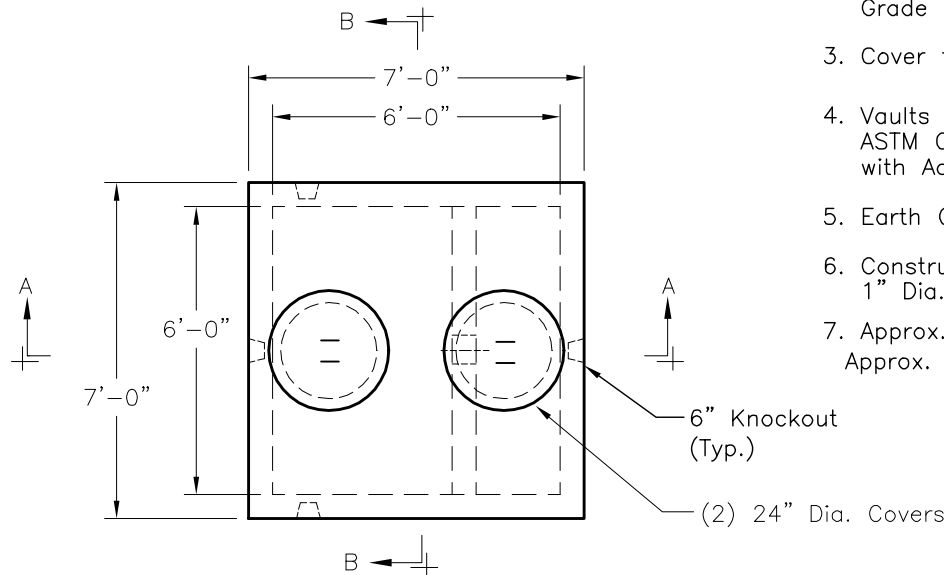
[www.oldcastleprecast.com](http://www.oldcastleprecast.com)

**6'-0" x 6'-0" x 5'-0" I.D.**  
**Septic Tank**  
**1,000 Gallon Capacity**

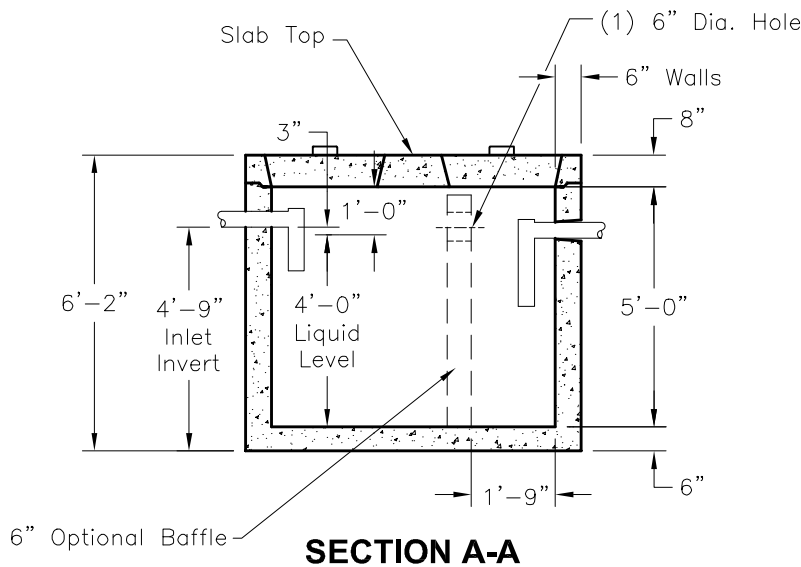
Copyright © 2008 **Oldcastle Precast**<sup>®</sup>

GENERAL NOTES:

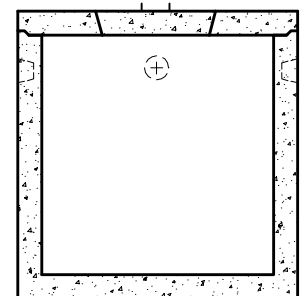
1. Concrete: 28 Day Compressive Strength  $f'_c = 5,000$  psi
2. Steel Reinforcement: ASTM A-615, Grade 60
3. Cover to Steel-1" Minimum
4. Vaults are Designed to Meet ASTM C858 and ACI 318 with Aashto HS-20 Loading
5. Earth Cover-0 to 5 Feet Max.
6. Construction Joint Sealed with 1" Dia. Butyl Rubber or Equivalent
7. Approx. Wt. Slab Top = 2.5 Tons  
Approx. wt. Bottom Section = 6.7 Tons



**PLAN VIEW**



**SECTION A-A**



**SECTION B-B**



**CST-1000**

FILE NAME: 324ESCCST1000\_DET.DWG

ISSUE DATE: January, 2008

[www.oldcastleprecast.com](http://www.oldcastleprecast.com)

**6'-0" x 6'-0" x 5'-0" I.D.  
Septic Tank  
1,000 Gallon Capacity**

Copyright © 2008 Oldcastle Precast