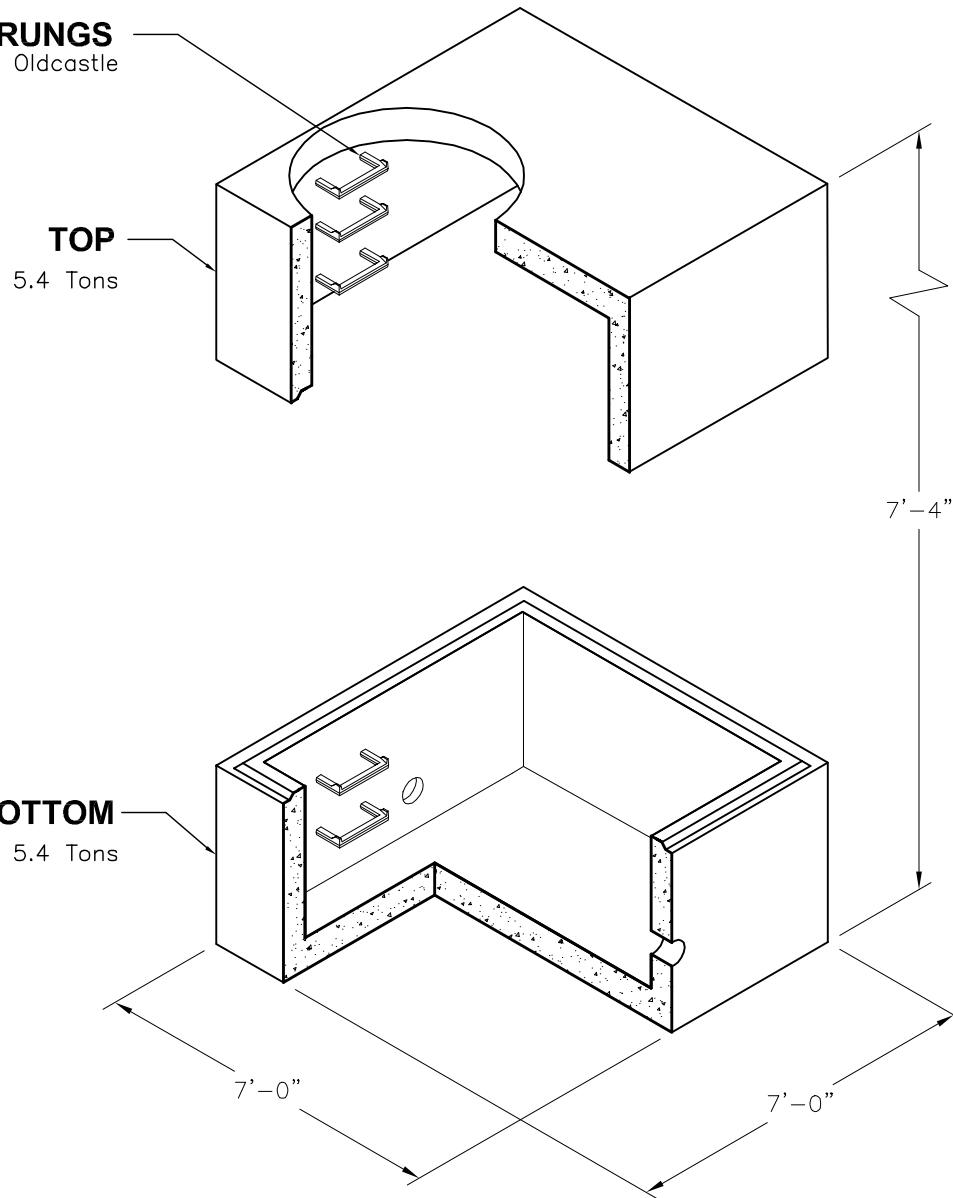


LADDER RUNGS
Provided by Oldcastle

TOP
5.4 Tons

BOTTOM
5.4 Tons



Oldcastle Precast[®]

MP6X6X6

FILE NAME: 324UWVMP6X6X6_ISO.DWG

ISSUE DATE: January, 2008

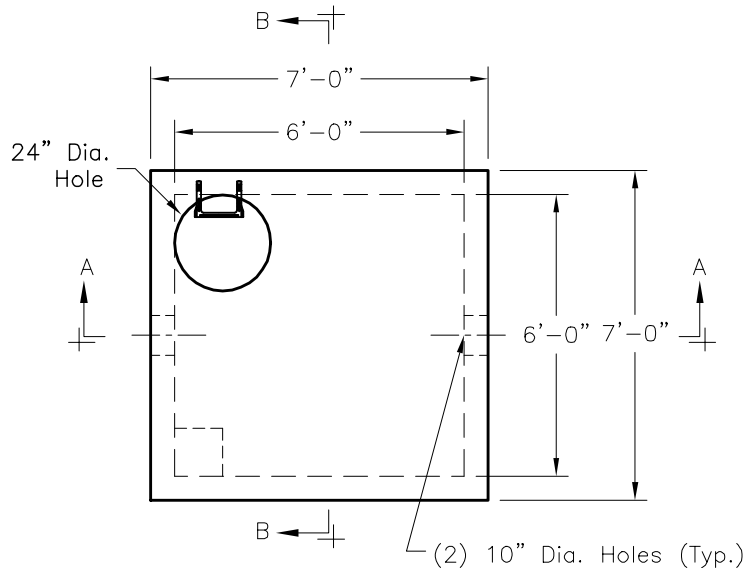
www.oldcastleprecast.com

**6'-0" x 6'-0" x 6'-0" I.D.
Meter Pit**

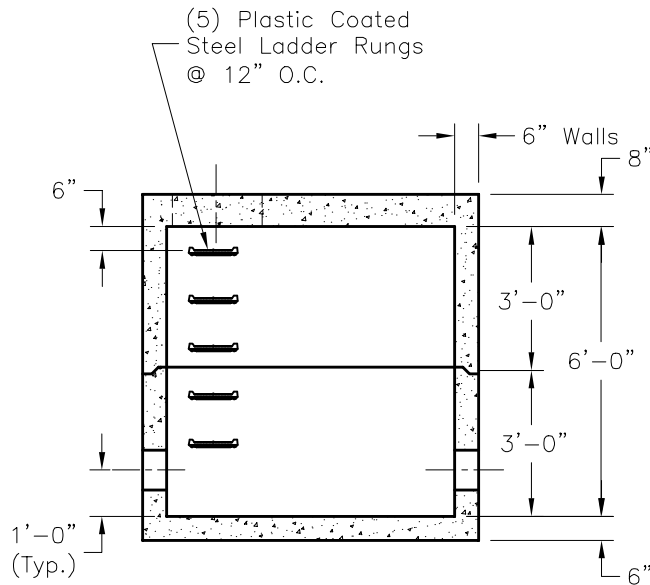
Copyright © 2008 **Oldcastle Precast**[®]

NOTES:

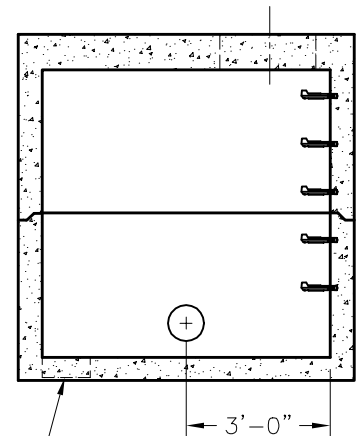
1. Concrete: 5,000 P.S.I
Minimum Strength @ 28 Days
2. Steel Reinforcing— ASTM A-615,
Grade 60.
3. Cover to Steel—1" Minimum
4. Vault are Designed to Meet ASTM
C858 and ACI 318 with AASHTO
HS-20 Loading
5. Construction Joint—Sealed with
Butyl Rubber Resin or Equivalent
6. Approx. Wt. Top = 5.4 Tons
Approx. Wt. Bottom = 4.8 Tons



PLAN VIEW



SECTION A-A



SECTION B-B



Oldcastle Precast®

MP6X6X6

FILE NAME: 324UWVMP6X6X6_DET.DWG

ISSUE DATE: January, 2008

www.oldcastleprecast.com

**6'-0" x 6'-0" x 6'-0" I.D.
Meter Pit**

Copyright © 2008 **Oldcastle Precast®**