

Oldcastle Precast®

MH6X8X64

FILE NAME: 324UEEMH6X8X64_ISO.DWG

ISSUE DATE: January, 2008

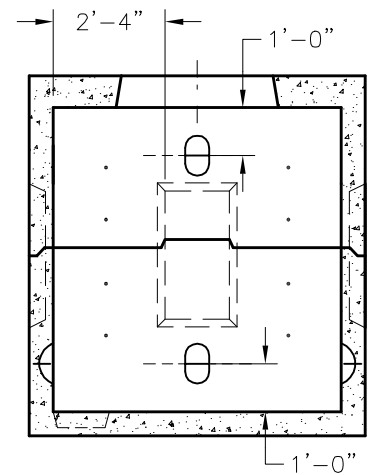
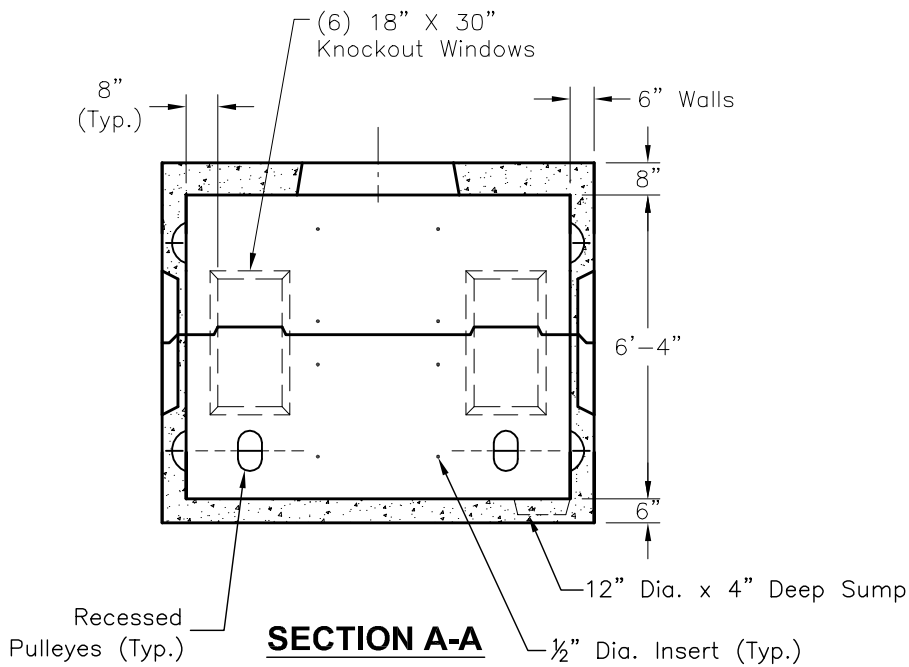
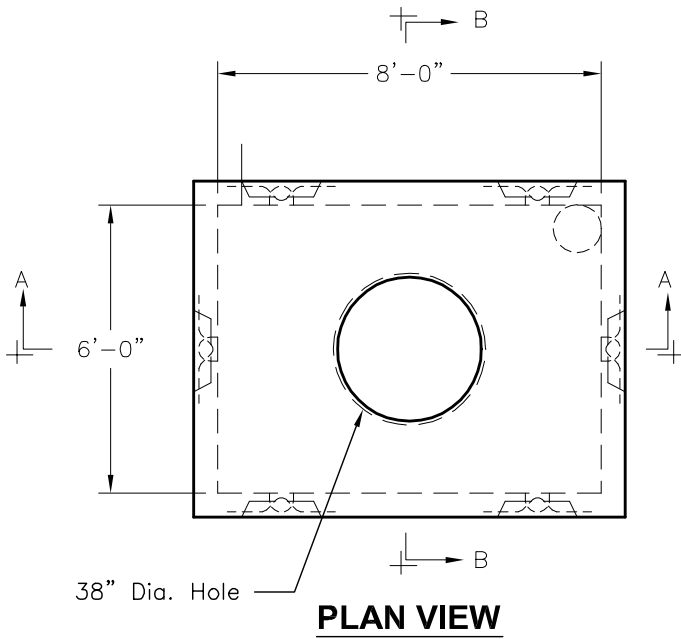
www.oldcastleprecast.com

**6'-0" x 8'-0" x 6'-4" I.D.
Utility Vault**

Copyright © 2008 **Oldcastle Precast®**

NOTES:

1. Concrete : 5,000 P.S.I
Minimum Strength @ 28 Days
2. Steel Reinforcing- ASTM A-615,
Grade 60.
3. Cover to Steel-1" Minimum
4. Vault are Designed to Meet ASTM
C858 and ACI 318 with AASHTO
HS-20 Loading
5. Construction Joint-Sealed with
Butyl Rubber Resin or Equivalent
6. Approx. Wt Top Pc. = 6.7 Tons
Approx. Wt. Bottom Pc. = 5.9 Tons



MH6X8X64

FILE NAME: 324UEEMH6X8X64_DET.DWG

ISSUE DATE: January, 2008

www.oldcastleprecast.com

**6'-0" x 8'-0" x 6'-4" I.D.
Utility Vault**

Copyright © 2008 **Oldcastle Precast**