

NOTE
 Inside Height as Specified
 Inside Roof, Floor and side Wall Openings as Specified
 Maximum inside Height for 2 Piece Manhole 10'-0"
 Maximum inside Height of Each Additional Piece 5'-0"



Oldcastle Precast[®]

MH6X8

FILE NAME: 324UCPMH6X8_ISO.DWG

ISSUE DATE: January, 2008

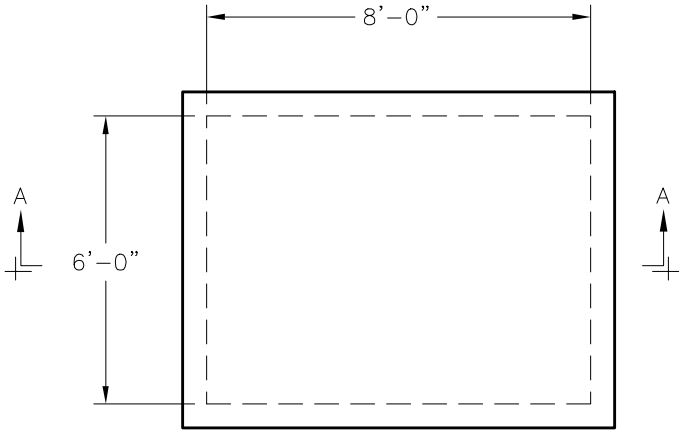
www.oldcastleprecast.com

**6'-0" x 8'-0" x Variable I.D.
Utility Vault**

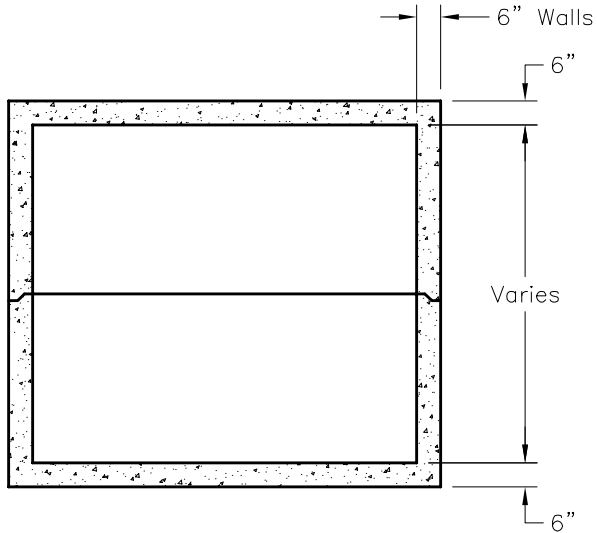
Copyright © 2008 **Oldcastle Precast**[®]

NOTES:

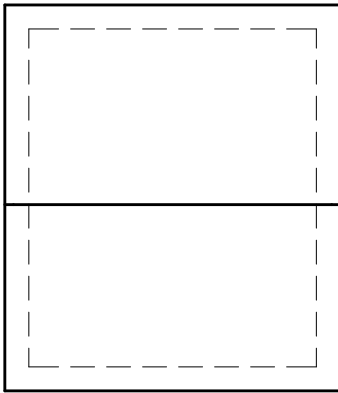
1. Concrete : 5,000 P.S.I
Minimum Strength @ 28 Days
2. Steel Reinforcing– ASTM A–615,
Grade 60.
3. Cover to Steel–1” Minimum
4. Vault are Designed to Meet ASTM
C858 and ACI 318 with AASHTO
HS–20 Loading
5. Earth Cover –0 to 5 Feet Max.
Minimum
6. Construction Joint–Sealed with
1”Dia Butyl Rubber or Equivalent
7. Wall Thickness Available in 6”, 8” &
10”



PLAN VIEW



SECTION A-A



END VIEW



MH6X8

FILE NAME: 324UCPMH6X8_DET.DWG

ISSUE DATE: January, 2008

www.oldcastleprecast.com

**6'-0" x 8'-0" x Variable I.D.
Utility Vault**

Copyright ©2008 **Oldcastle Precast**