

LIFTING INSERT

TOP

48,900 lbs.

COVER

24" Dia.

BOTTOM

43,455 lbs.

12'-3"

21'-10"

8'-4"



Oldcastle Precast®

ST-11000

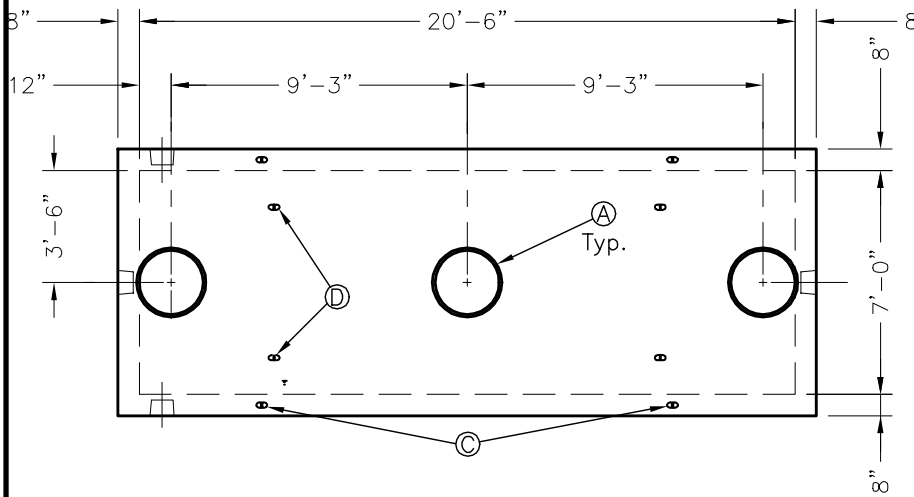
FILE NAME: 325ESRST11000_ISO.DWG

ISSUE DATE: January, 2008

www.oldcastleprecast.com

**7'-0" x 20'-6" x 11'-3" I.D.
Septic Tank
11,000 Gallon Capacity**

Copyright © 2008 Oldcastle Precast®



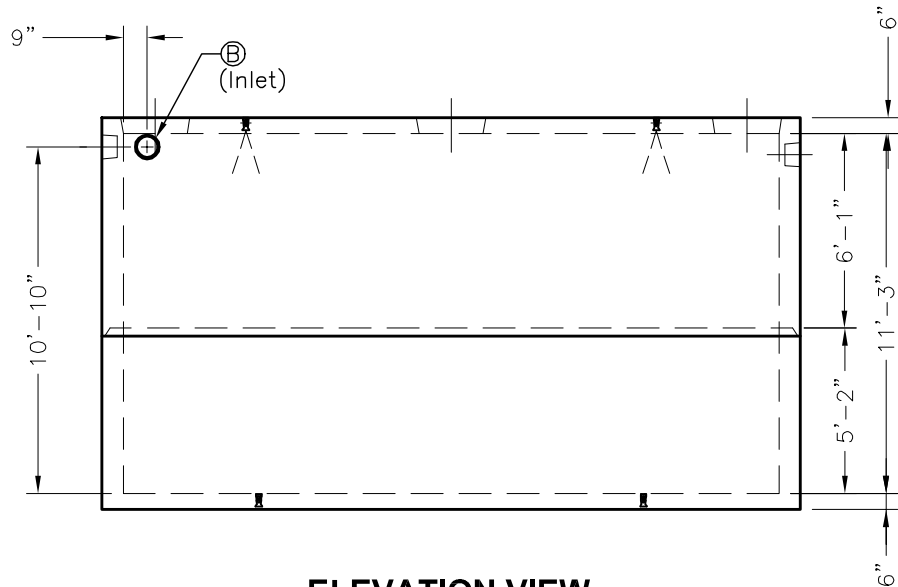
PLAN VIEW

GENERAL NOTES:

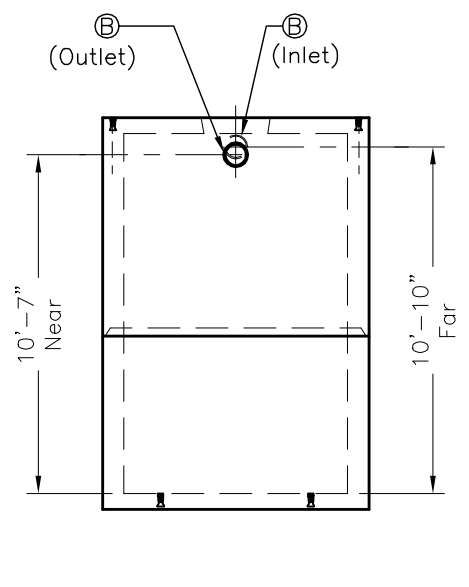
1. Concrete: 28 Day Compressive Strength $f'_c = 5,000$ psi
2. Rebar: Grade 60 Per ASTM A615 (Black).
3. Design Loading: AASHTO H-20. (2'-5' Cover)
4. General Contractor to Verify all Openings Sizes and Locations.
5. All Pipe and Roof Openings have Additional Rebar Reinforcement.
6. Joint to be Sealed with 1" Butyl Rubber.
7. All Hardware Shown But not Dimensioned is for Visual Reference Only-Do not Scale for Placement.

DATA CHART

LTR	QTY	Description
(A)	3	24" Dia. Cleanout
(B)	4	8" ϕ Knockout
(C)	4	Lifting Insert
(D)	4	Lifting Insert



ELEVATION VIEW



SIDE VIEW



ST 11000

FILE NAME: 325ESRST11000_DET.DWG

ISSUE DATE: January, 2008

www.oldcastleprecast.com

**7'-0" x 20'-6" x 11'-3" I.D.
Septic Tank
11,000 Gallon Capacity**

Copyright © 2008 Oldcastle Precast, Inc.