

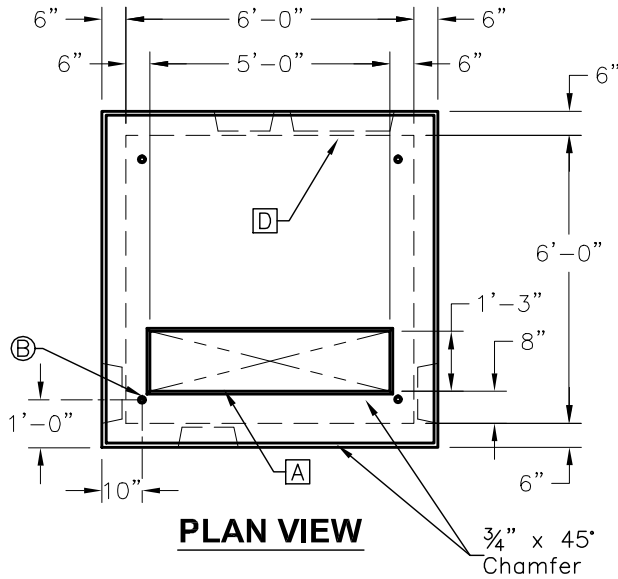
TPTP 7-7

FILE NAME: 325UETTP7-7_ISO.DWG
 ISSUE DATE: January, 2008
www.oldcastleprecast.com

84" x 84" x 36"
Transformer Box Pad
8,100 Lbs.

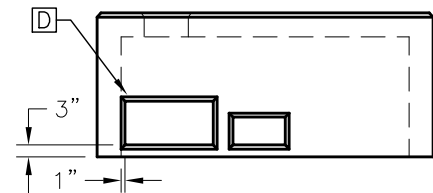
GENERAL NOTES:

1. Concrete: 28 Day Compressive Strength $f'_c = 5,000$ psi
2. Rebar: Grade 60 Per ASTM A615.
3. Design Loading: AASHTO HS20-44.
4. General Contractor to Verify all Openings Sizes and Locations.
5. All Knockout and Roof Openings have Additional Rebar Reinforcement.

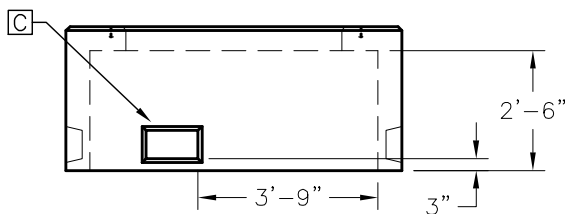


DATA CHART

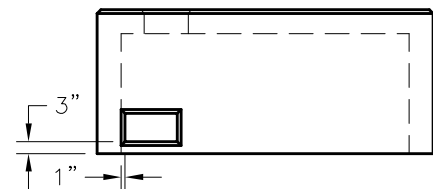
LTR	QTY	Description
A	1	54" x 14" Opening
B	4	5" Utility Anchor
C	4	13"W x 7"H Knockout
D	1	24"W x 13"H Knockout



BACK ELEVATION



FRONT ELEVATION



RIGHT ELEVATION



TPTP 7-7

FILE NAME: 325UETTP7-7_DET.DWG

ISSUE DATE: January, 2008

www.oldcastleprecast.com

84" x 84" x 36"
Transformer Pad
Chase Standard
8,100 Lbs

Copyright © 2008 Oldcastle Precast