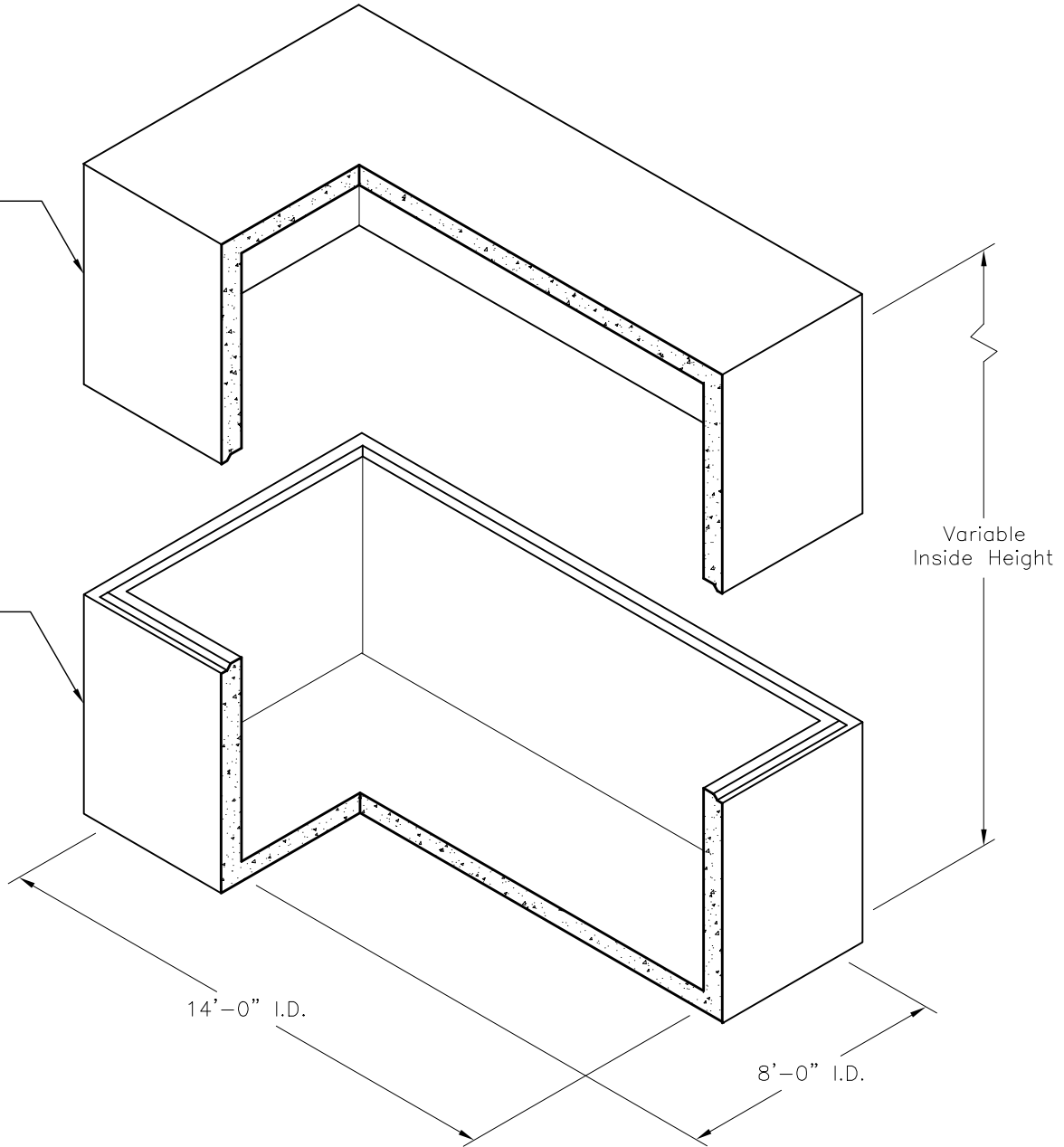


TOP
WT. Variable

BOTTOM
WT. Variable



NOTE
Inside Height as Specified
Inside Roof, Floor and Side Wall Openings as Specified
Maximum inside Height for 2 Piece Manhole 10'-0"
Maximum inside Height of Each Additional Piece 5'-0"



Oldcastle Precast[®]

MH8X14

FILE NAME: 324UCPMH8X14_ISO.DWG

ISSUE DATE: January, 2008

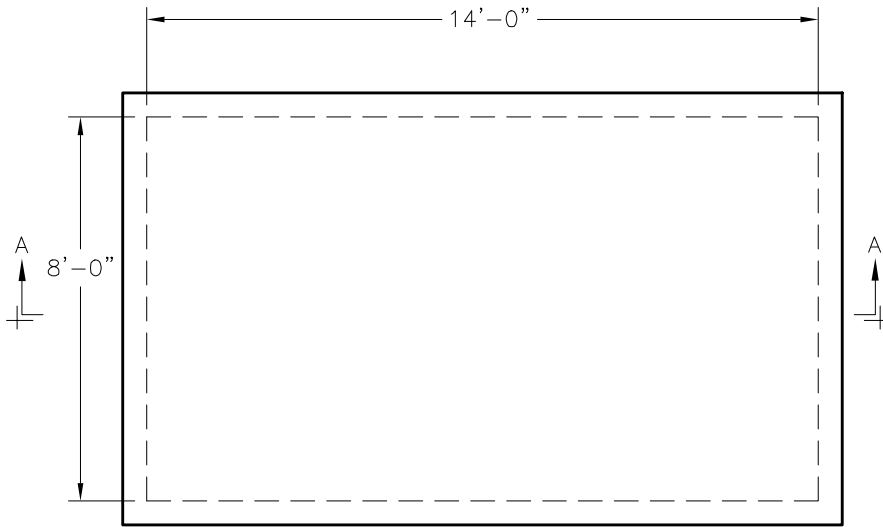
www.oldcastleprecast.com

**8'-0" x 14'-0" x Variable I.D.
Utility Vault**

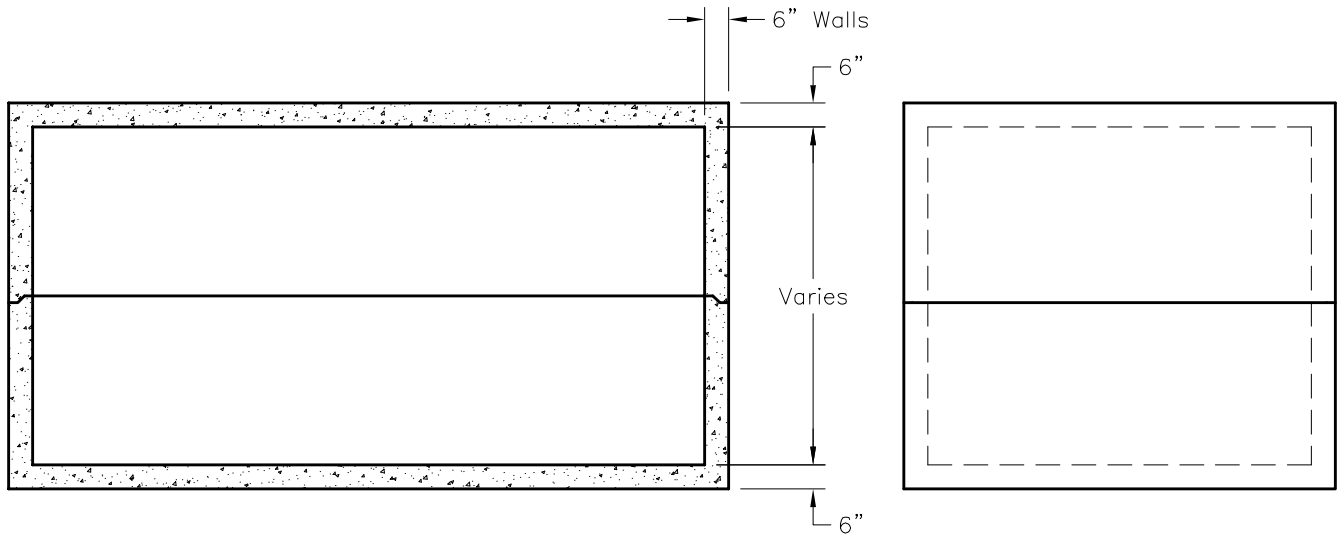
Copyright © 2008 **Oldcastle Precast**[®]

NOTES:

1. Concrete : 5,000 P.S.I
Minimum Strength @ 28 Days
2. Steel Reinforcing- ASTM A-615,
Grade 60.
3. Cover to Steel-1" Minimum
4. Vault are Designed to Meet ASTM
C858 and ACI 318 with AASHTO
HS-20 Loading
5. Earth Cover -0 to 5 Feet Max.
Minimum
6. Construction Joint-Sealed with
1"Dia Butyl Rubber or Equivalent
7. Wall Thickness Available in 6", 8" &
10"



PLAN VIEW



SECTION A-A

END VIEW



MH8X14

FILE NAME: 324UCPMH8X14_DET.DWG

ISSUE DATE: January, 2008

www.oldcastleprecast.com

**8'-0" x 14'-0" x Variable I.D.
Utility Vault**

Copyright ©2008 **Oldcastle Precast**