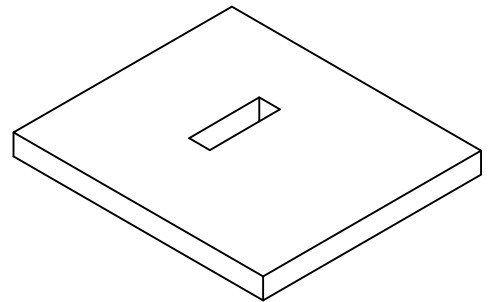


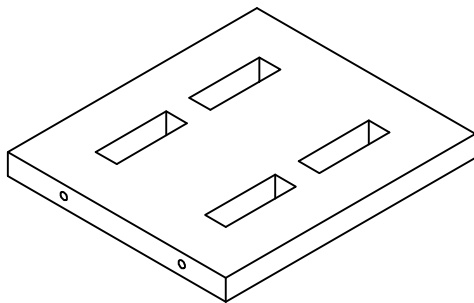
COLLAR A

15kV S/G COLLAR - WGT. 9,800 LBS.



COLLAR C

PWVE COOPER RECLOSER - WGT. 10,900 LBS.



COLLAR B

25/35kV S/G COLLAR - WGT. 9,775 LBS.



MH COLLARS

FILE NAME: 325UEEMHCOLLARS_ISO.DWG

ISSUE DATE: January, 2008

www.oldcastleprecast.com

**8'-0" x 7'-0"
Switchgear Manhole
Collar Assortment**

Copyright © 2008 **Oldcastle** Precast