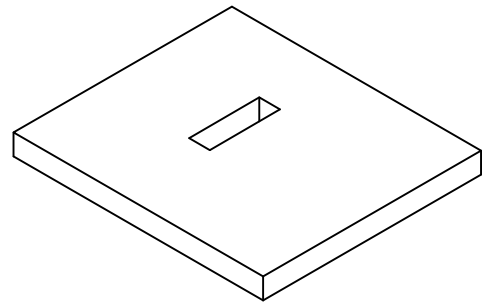


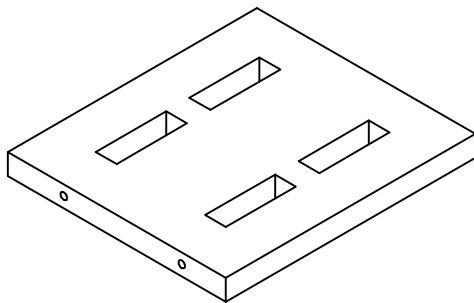
**COLLAR A**

15kV S/G COLLAR - WGT. 9,800 LBS.



**COLLAR C**

PWVE COOPER RECLOSER - WGT. 10,900 LBS.



**COLLAR B**

25/35kV S/G COLLAR - WGT. 9,775 LBS.



**MH COLLARS**

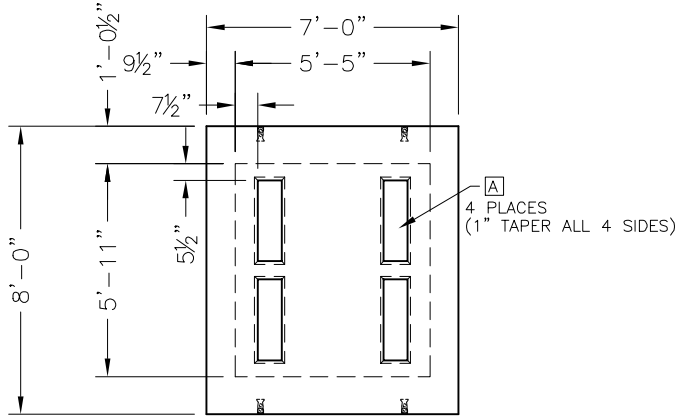
FILE NAME: 325UEEMHCOLLARS\_ISO.DWG

ISSUE DATE: January, 2008

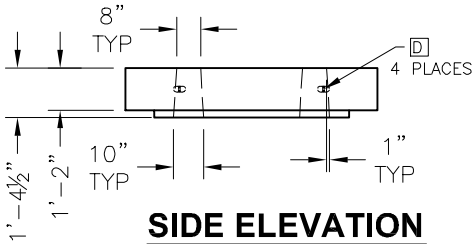
[www.oldcastleprecast.com](http://www.oldcastleprecast.com)

**8'-0" x 7'-0"  
Switchgear Manhole  
Collar Assortment**

Copyright © 2008 **Oldcastle** Precast



**PLAN VIEW**



**SIDE ELEVATION**

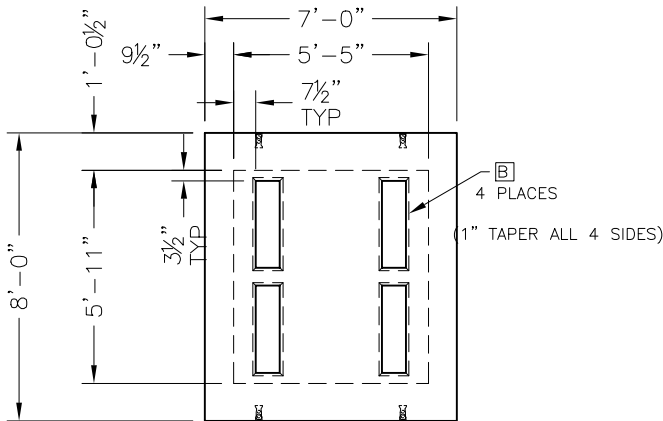
**COLLAR A**  
15kV S/G COLLAR - WGT. 9,800 LBS.

**GENERAL NOTES:**

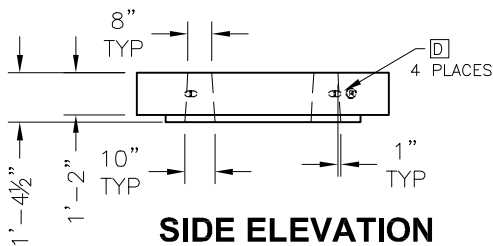
1. Concrete: 28 Day Compressive Strength  $f'_c = 5,000$  psi
2. Rebar: Grade 60 Per ASTM A615
3. Design Loading: AASHTO HS20-44.
4. General Contractor to Verify all Openings Sizes and Locations.
5. All Pipe and Roof Openings have Additional Rebar Reinforcement

**DATA CHART**

LTR	QTY	Description
A	4	8"-10" x 27" Opening
B	4	8"-10" x 29" Opening
C	1	8"-10" x 30" Opening
D	4	Lifting Insert

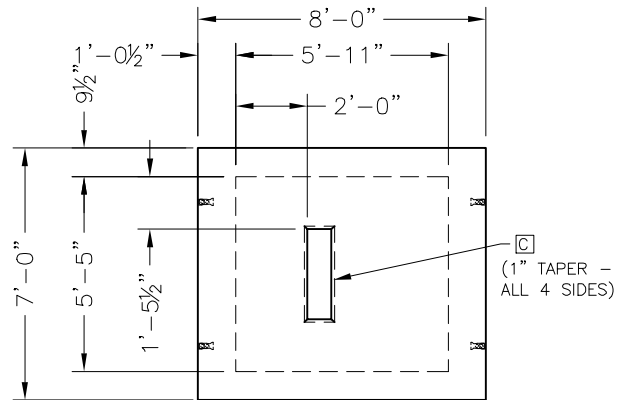


**PLAN VIEW**

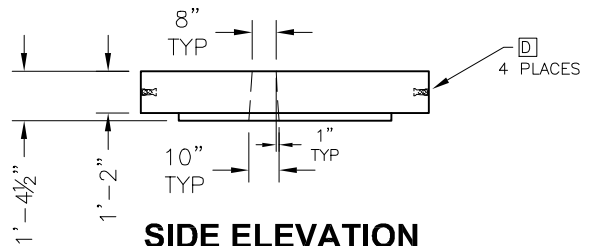


**SIDE ELEVATION**

**COLLAR B**  
25/35kV S/G COLLAR - WGT. 9,775 LBS.



**PLAN VIEW**



**SIDE ELEVATION**

**COLLAR C**  
PWVE COOPER RECLOSER - WGT. 10,900 LBS.



**Oldcastle Precast®**

**MH COLLARS**

FILE NAME: 325UEEMHCOLLARS\_DET.DWG

ISSUE DATE: January, 2008

[www.oldcastleprecast.com](http://www.oldcastleprecast.com)

**8'-0" x 7'-0"  
Switchgear Manhole  
Collar Assortment**

Copyright © 2008 **Oldcastle Precast®**