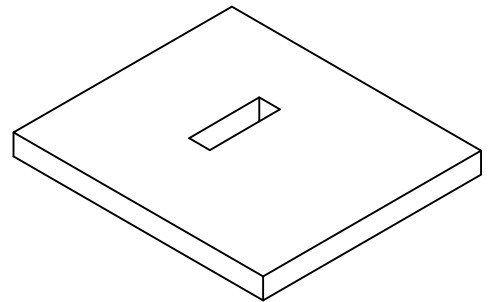


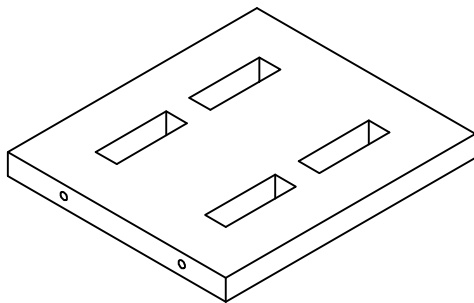
COLLAR A

15kV S/G COLLAR - WGT. 9,800 LBS.



COLLAR C

PWVE COOPER RECLOSER - WGT. 10,900 LBS.



COLLAR B

25/35kV S/G COLLAR - WGT. 9,775 LBS.



MH COLLARS

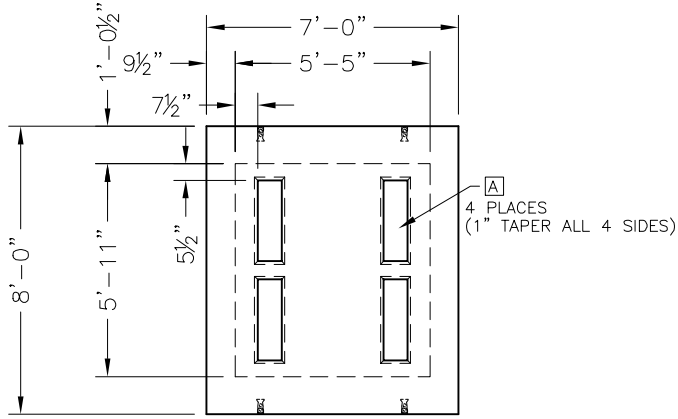
FILE NAME: 325UEEMHCOLLARS_ISO.DWG

ISSUE DATE: January, 2008

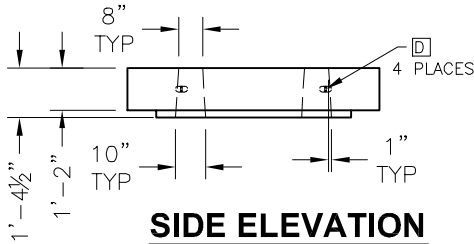
www.oldcastleprecast.com

**8'-0" x 7'-0"
Switchgear Manhole
Collar Assortment**

Copyright © 2008 **Oldcastle** Precast



PLAN VIEW



SIDE ELEVATION

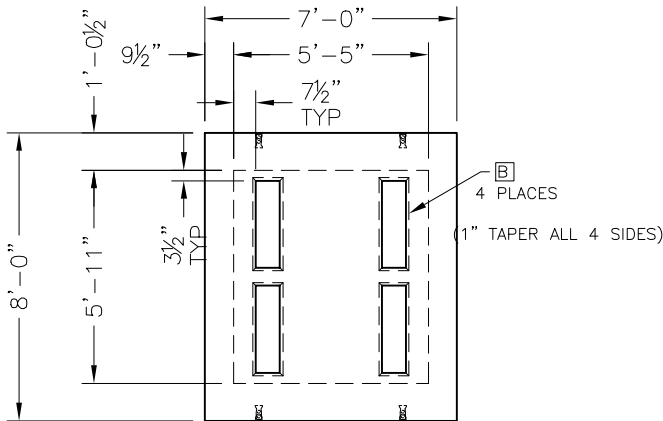
COLLAR A
15kV S/G COLLAR - WGT. 9,800 LBS.

GENERAL NOTES:

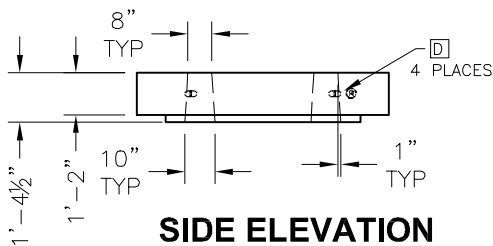
1. Concrete: 28 Day Compressive Strength $f'_c = 5,000$ psi
2. Rebar: Grade 60 Per ASTM A615
3. Design Loading: AASHTO HS20-44.
4. General Contractor to Verify all Openings Sizes and Locations.
5. All Pipe and Roof Openings have Additional Rebar Reinforcement

DATA CHART

LTR	QTY	Description
A	4	8"-10" x 27" Opening
B	4	8"-10" x 29" Opening
C	1	8"-10" x 30" Opening
D	4	Lifting Insert

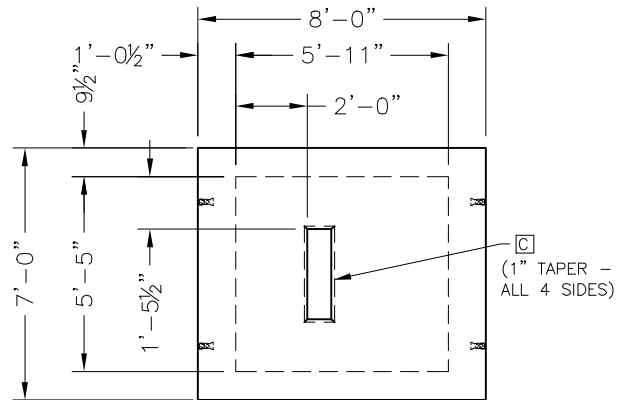


PLAN VIEW

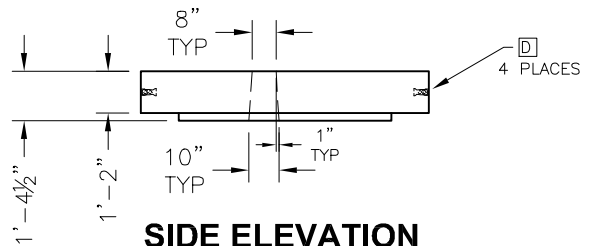


SIDE ELEVATION

COLLAR B
25/35kV S/G COLLAR - WGT. 9,775 LBS.



PLAN VIEW



SIDE ELEVATION

COLLAR C
PWVE COOPER RECLOSER - WGT. 10,900 LBS.



Oldcastle Precast®

MH COLLARS

FILE NAME: 325UEEMHCOLLARS_DET.DWG

ISSUE DATE: January, 2008

www.oldcastleprecast.com

**8'-0" x 7'-0"
Switchgear Manhole
Collar Assortment**

Copyright © 2008 **Oldcastle Precast®**