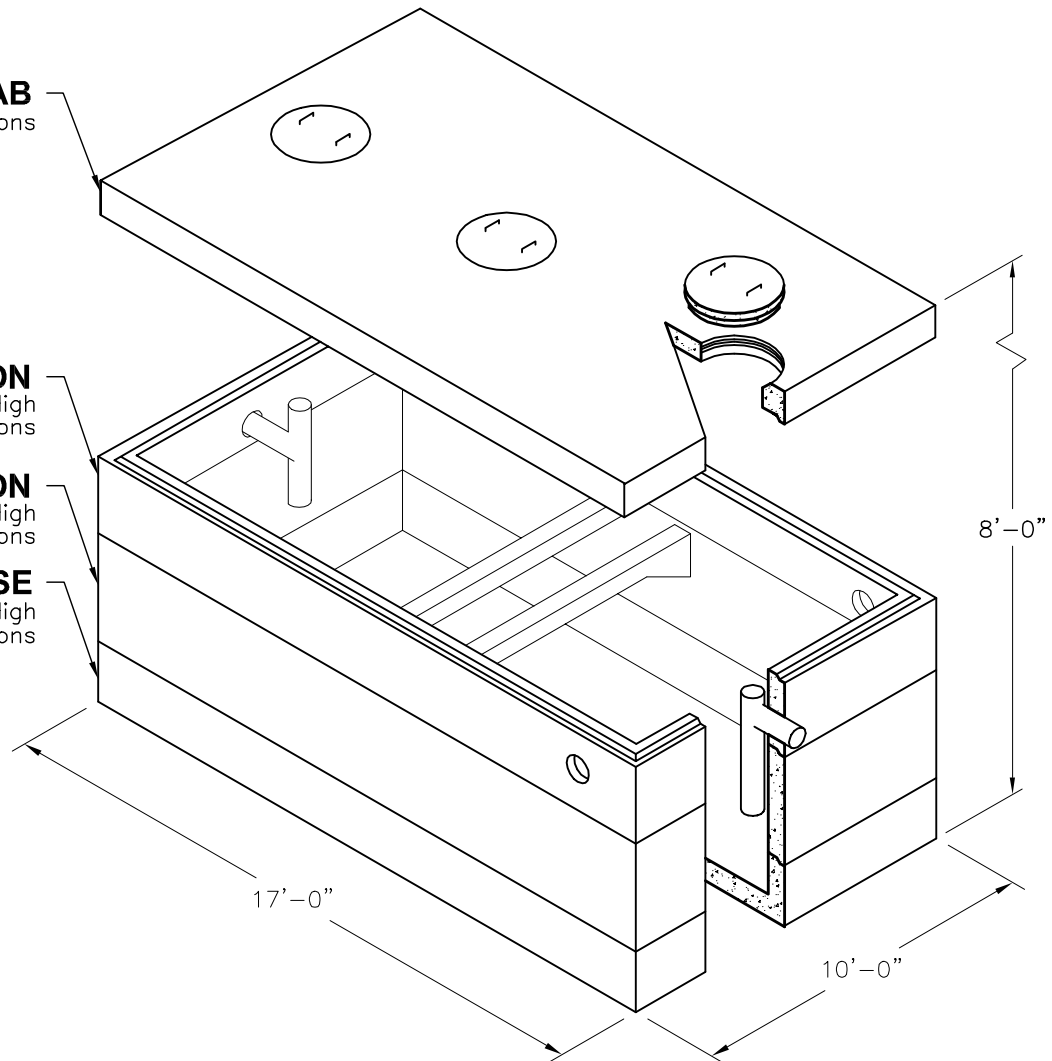


**ROOF SLAB**  
10.5 Tons

**SHIM SECTION**  
2'-6" High  
5.2 Tons

**SHIM SECTION**  
3'-0" High  
6.1 Tons

**BASE**  
20" High  
9.7 Tons



**Oldcastle Precast**<sup>®</sup>

**CST-6000**

FILE NAME: 324ESCCST6000\_ISO.DWG

ISSUE DATE: January, 2008

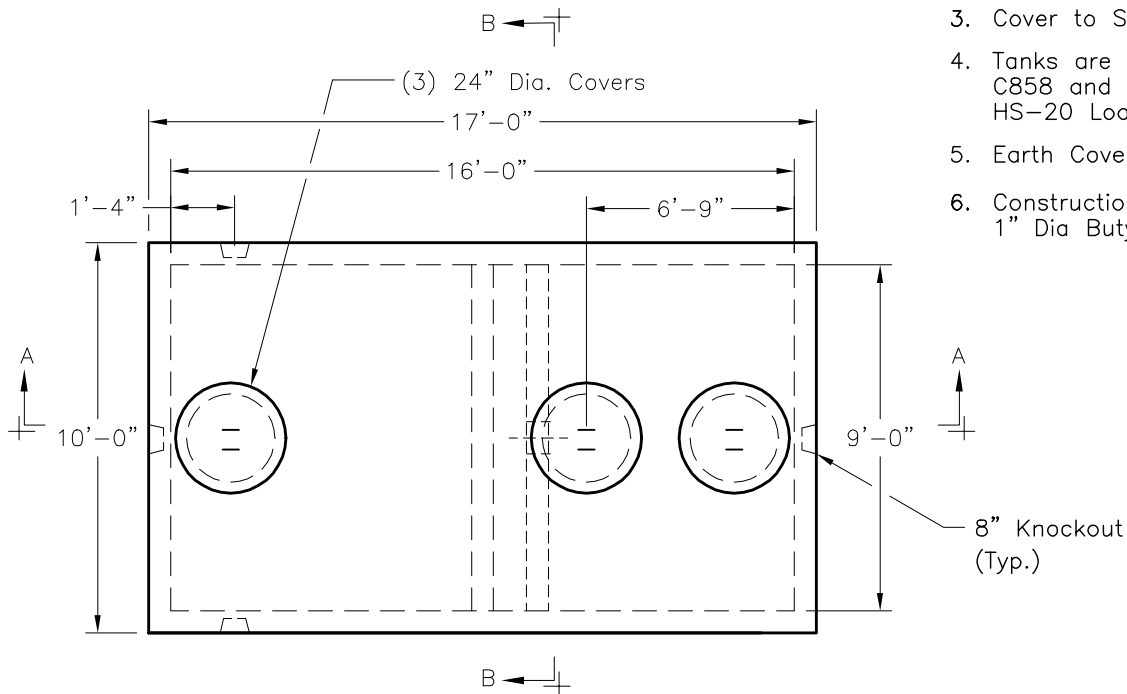
[www.oldcastleprecast.com](http://www.oldcastleprecast.com)

**9'-0" x 16'-0" x 6'-6" I.D.**  
**Septic Tank**  
**6,000 Gallon Capacity**

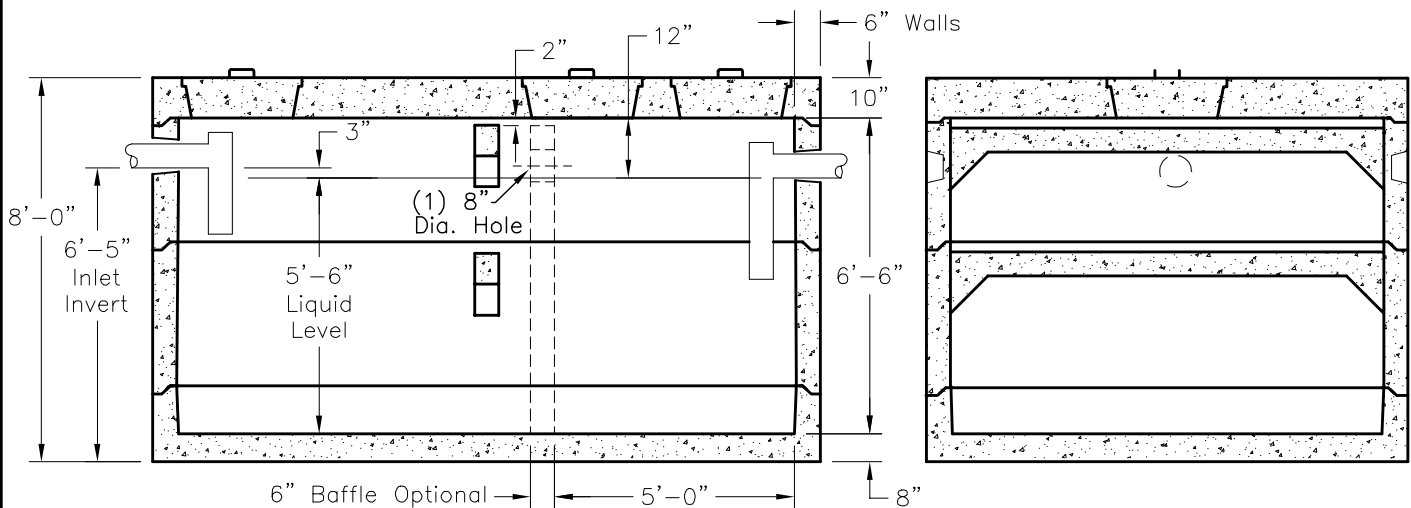
Copyright © 2008 **Oldcastle Precast**<sup>®</sup>

DESIGN NOTES:

1. Concrete : 5,000 P.S.I  
Minimum Strength @ 28 Days
2. Steel Reinforcing- ASTM A-615,  
Grade 60.
3. Cover to Steel-1" Minimum
4. Tanks are Designed to Meet ASTM  
C858 and ACI 318 with AASHTO  
HS-20 Loading
5. Earth Cover -0 to 5 Feet Max.
6. Construction Joint-Sealed with  
1" Dia Butyl Rubber or Equivalent



**PLAN VIEW**



**SECTION A-A**

**SECTION B-B**



**CST-6000**

FILE NAME: 324ESCCST6000\_DET.DWG

ISSUE DATE: January, 2008

[www.oldcastleprecast.com](http://www.oldcastleprecast.com)

**9'-0" x 16'-0" x 6'-6" I.D.  
Septic Tank  
6,000 Gallon Capacity**

Copyright © 2008 **Oldcastle Precast**