

Oldcastle Precast®

CST-8000

FILE NAME: 324ESCCST8000_ISO.DWG

ISSUE DATE: January, 2008

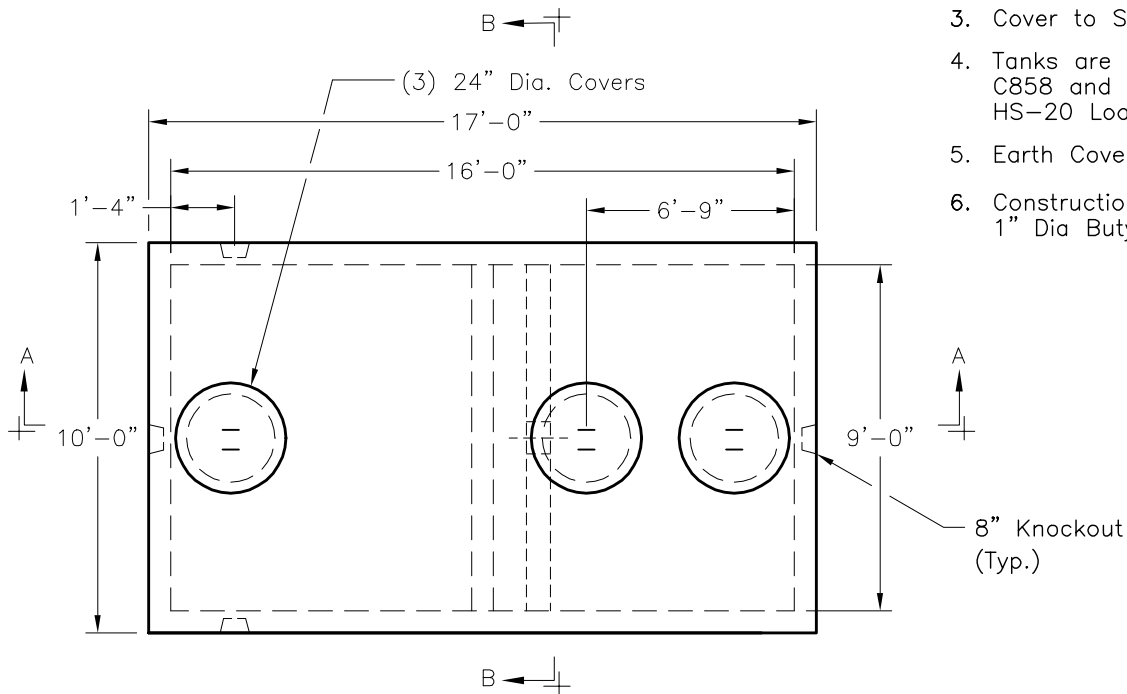
www.oldcastleprecast.com

**9'-0" x 16'-0" x 8'-6" I.D.
Septic Tank
8,000 Gallon Capacity**

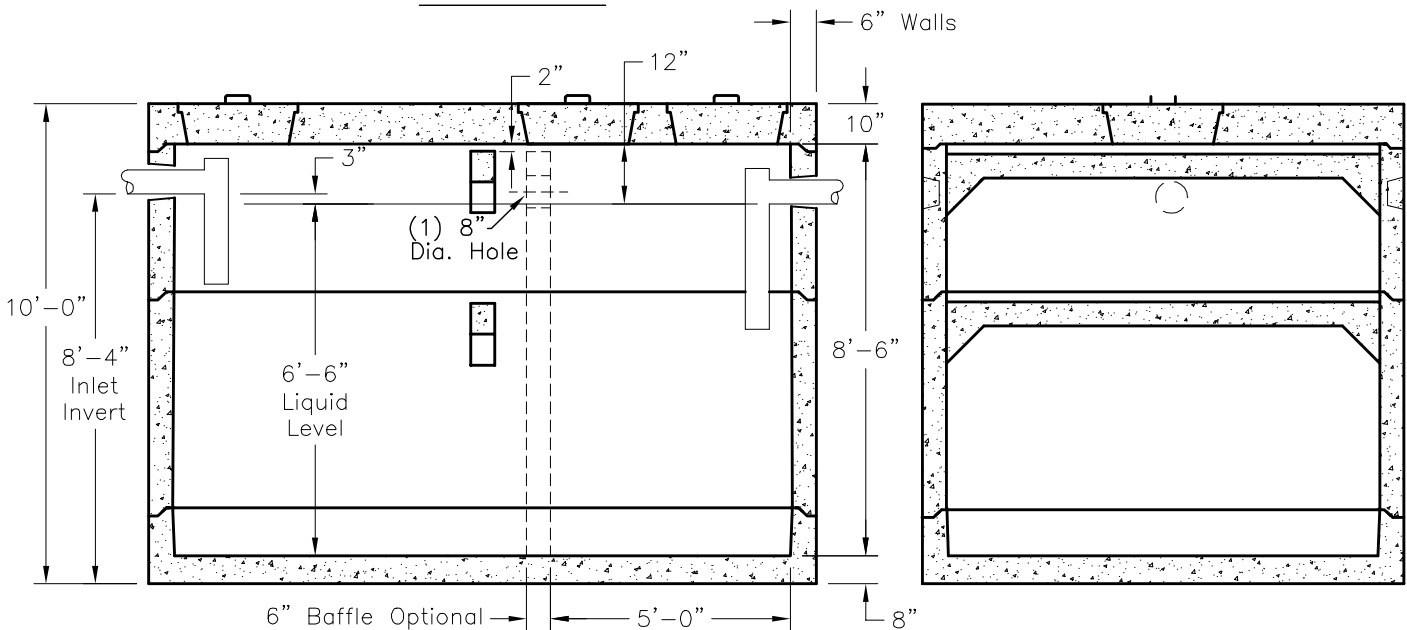
Copyright © 2008 **Oldcastle Precast®**

DESIGN NOTES:

1. Concrete : 5,000 P.S.I
Minimum Strength @ 28 Days
2. Steel Reinforcing- ASTM A-615,
Grade 60.
3. Cover to Steel-1" Minimum
4. Tanks are Designed to Meet ASTM
C858 and ACI 318 with AASHTO
HS-20 Loading
5. Earth Cover -0 to 5 Feet Max.
6. Construction Joint-Sealed with
1" Dia Butyl Rubber or Equivalent



PLAN VIEW



SECTION A-A

SECTION B-B



CST-8000

FILE NAME: 324ESCCST8000_DET.DWG

ISSUE DATE: January, 2008

www.oldcastleprecast.com

**9'-0" x 16'-0" x 8'-6" I.D.
Septic Tank
8,000 Gallon Capacity**

Copyright © 2008 **Oldcastle Precast**