

Note:  
 Inside Height as Specified  
 Inside Roof, Floor and Side Wall Openings as Specified  
 Maximum inside Height for 2 Piece Manhole 5'-0"  
 Maximum inside Height of Each Additional Piece 4'-0"  
 Std. Shim Heights 2'-6", 3'-0", 3'-6", 4'-0"



**Oldcastle Precast**<sup>®</sup>

**MH9X16-M**

FILE NAME: 324UCPMH9X16M\_ISO.DWG

ISSUE DATE: January, 2008

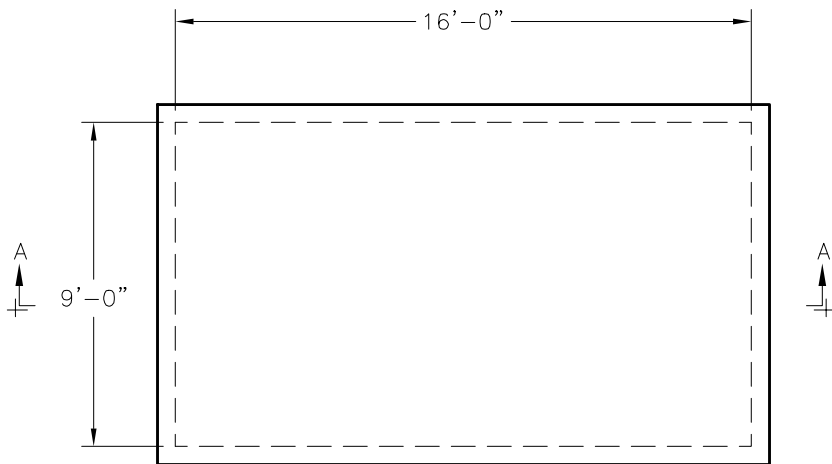
[www.oldcastleprecast.com](http://www.oldcastleprecast.com)

**9'-0" x 16'-0" x Variable I.D.  
 Utility Vault**

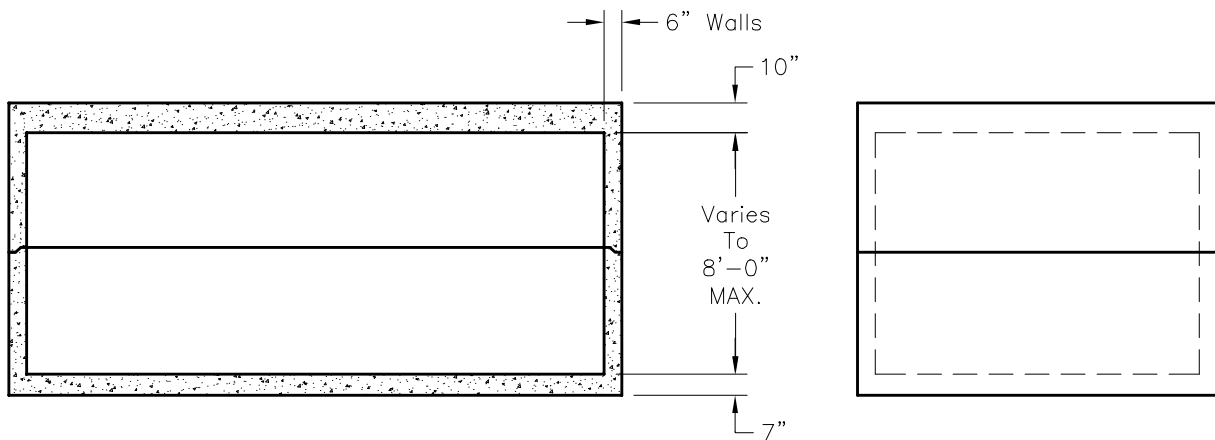
Copyright © 2008 **Oldcastle Precast**<sup>®</sup>

GENERAL NOTES:

1. Concrete: 28 Day Compressive Strength  $f'_c = 5,000$  psi
2. Steel Reinforcement: ASTM A-615, Grade 60
3. Cover to Steel-1" Minimum
4. Vaults are Designed to Meet ASTM C858 and ACI 318 with AASHTO HS-20 Loading
5. Earth Cover-0 to 5 Feet Max.
6. Construction Joint Sealed with 1" Dia. Butyl Rubber or Equivalent
7. Wall Thickness 6"



PLAN VIEW



SECTION A-A

END VIEW



**MH9X16-M**

FILE NAME: 324UCPMH9X16M\_DET.DWG

ISSUE DATE: January, 2008

[www.oldcastleprecast.com](http://www.oldcastleprecast.com)

**9'-0" x 16'-0" x Variable I.D.  
Utility Vault**

Copyright © 2008 **Oldcastle Precast**