

Note:
 Inside Height as Specified
 Inside Roof, Floor and Side Wall Openings as Specified
 Maximum inside Height for 2 Piece Manhole 5'-0"
 Maximum inside Height of Each Additional Piece 4'-0"
 Std. Shim Heights 2'-6", 3'-0", 3'-6", 4'-0"



Oldcastle Precast®

MH9X16

FILE NAME: 324UCPMH9X16_ISO.DWG

ISSUE DATE: January, 2008

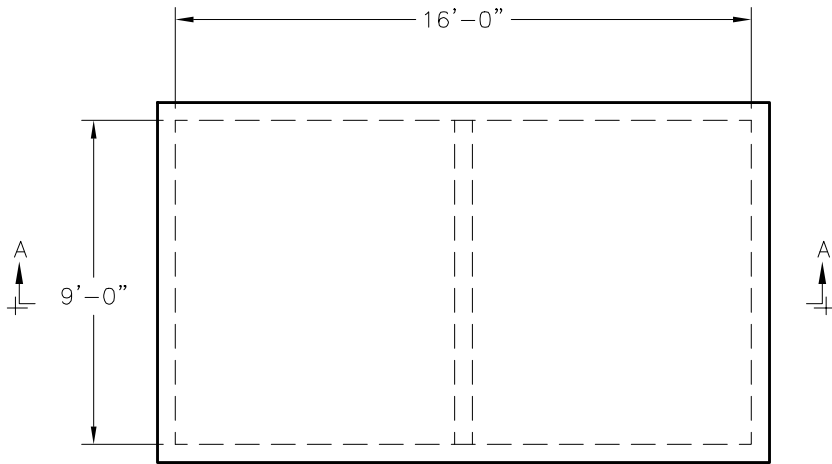
www.oldcastleprecast.com

**9'-0" x 16'-0" x Variable I.D.
 Utility Vault**

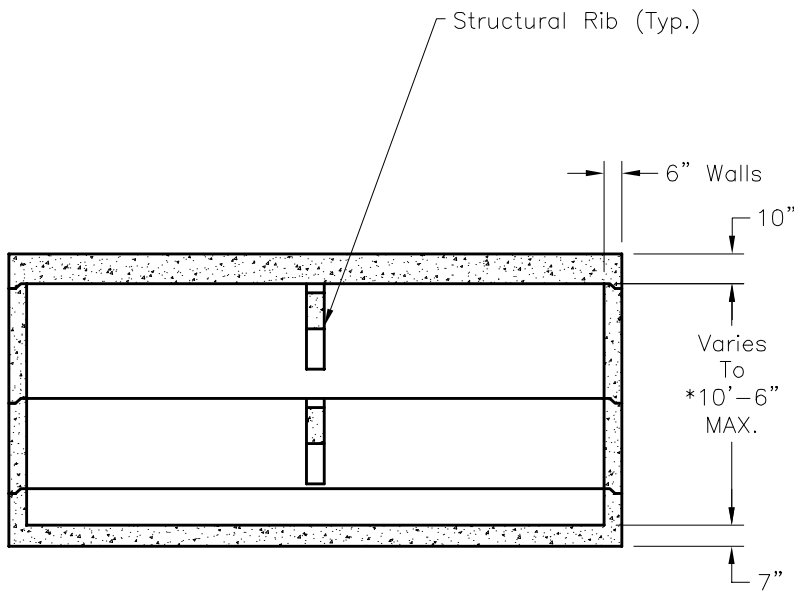
Copyright ©2008 **Oldcastle Precast®**

GENERAL NOTES:

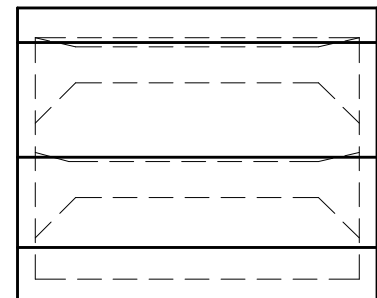
1. Concrete: 28 Day Compressive Strength $f'_c = 5,000$ psi
2. Steel Reinforcement: ASTM A-615, Grade 60
3. Cover to Steel-1" Minimum
4. Vaults are Designed to Meet ASTM C858 and ACI 318 with AASHTO HS-20 Loading
5. Earth Cover-0 to 5 Feet Max.
6. Construction Joint Sealed with 1" Dia. Butyl Rubber or Equivalent
7. Wall Thickness 6"
8. *Earth Cover On 10'-6" ID Vault Is 0' to 3' MAX.



PLAN VIEW



SECTION A-A



END VIEW



Oldcastle Precast®

MH9X16

FILE NAME: 324UCPMH9X16_DET.DWG

ISSUE DATE: January, 2008

www.oldcastleprecast.com

**9'-0" x 16'-0" x Variable I.D.
Utility Vault**

Copyright © 2008 **Oldcastle Precast®**