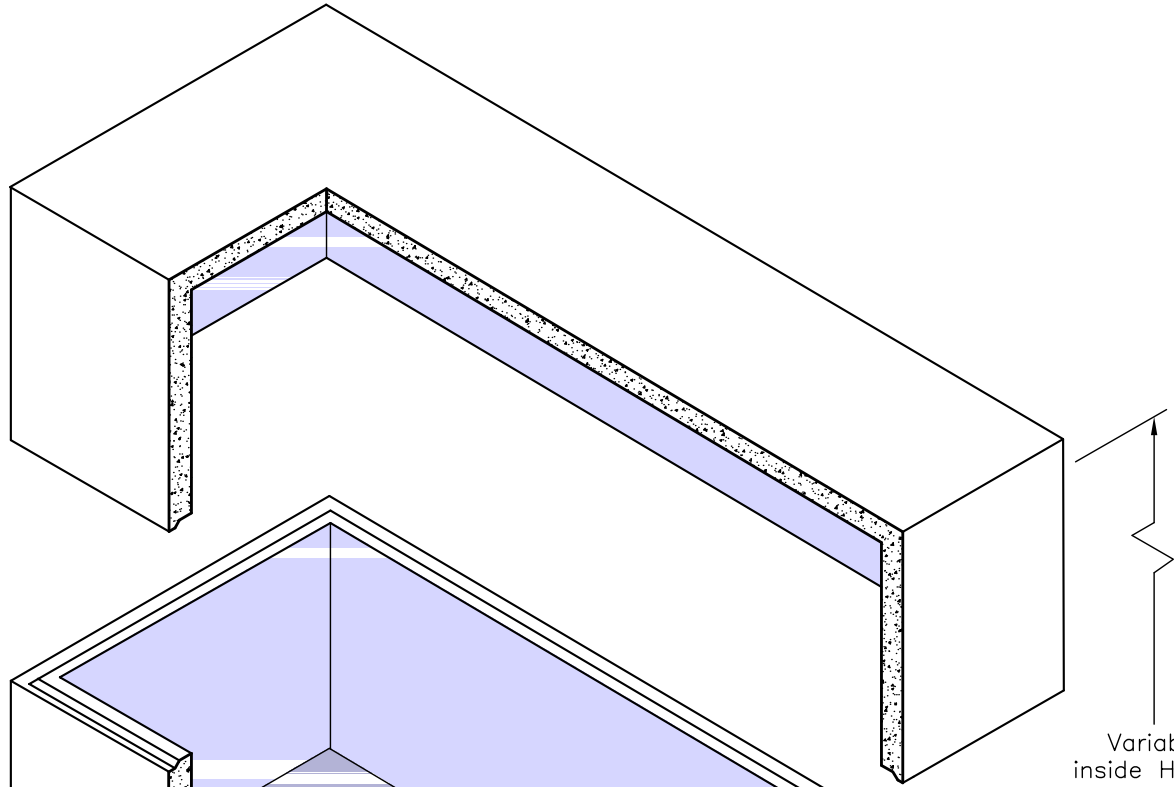
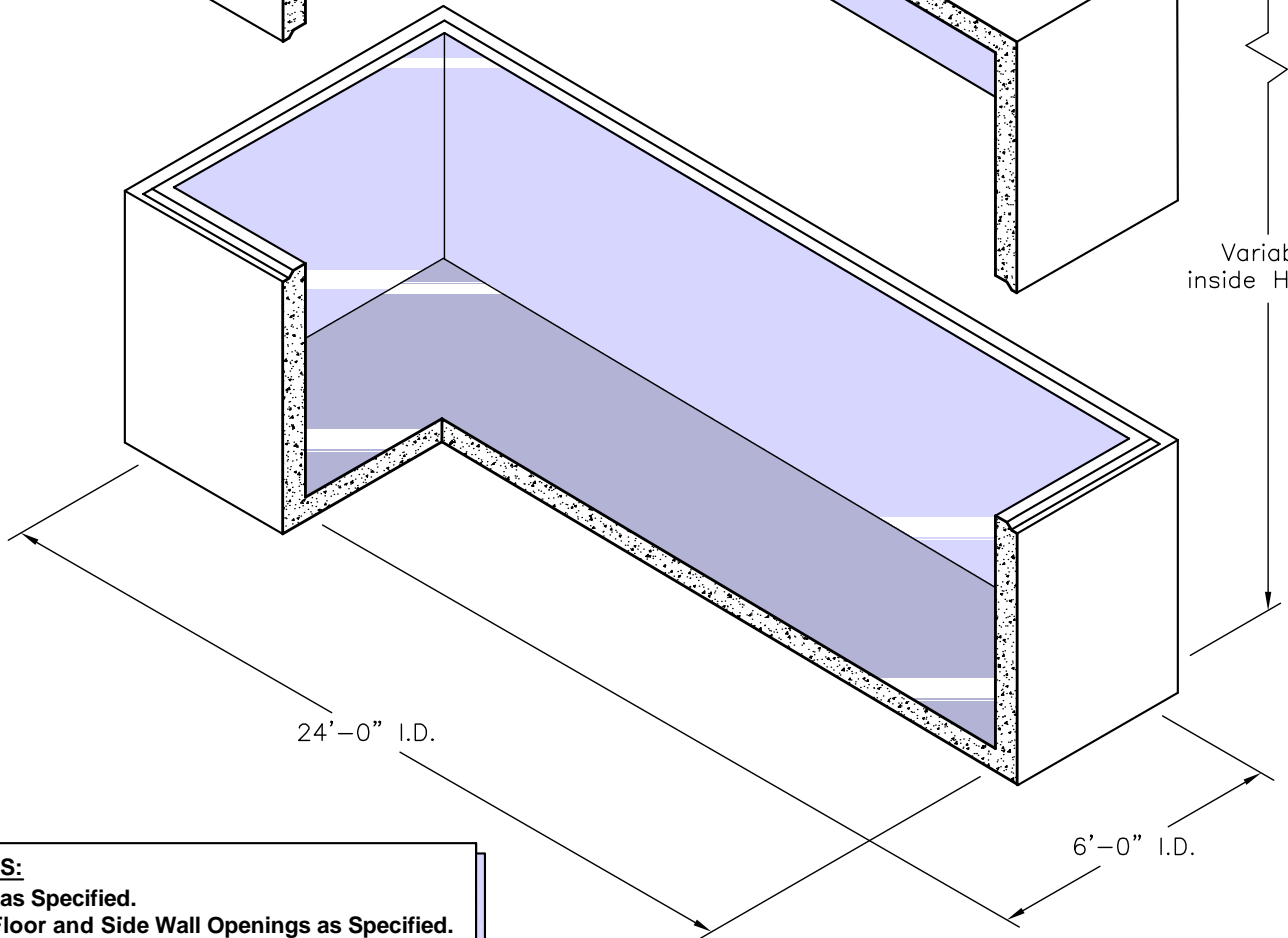


TOP
WT. Variable



BOTTOM
WT. Variable



SPECIFICATIONS:

1. Inside Height as Specified.
2. Inside Roof, Floor and Side Wall Openings as Specified.
3. Maximum inside Height for 2 Piece Manhole 8'-4"
4. Maximum inside Height of Each Additional Piece 4'-0"