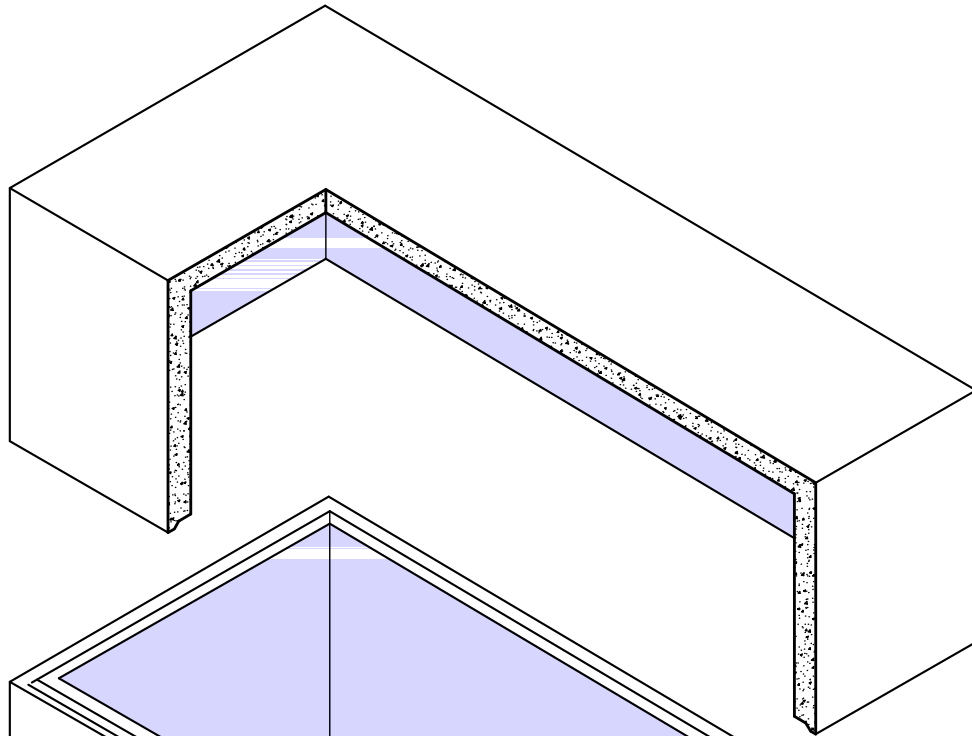


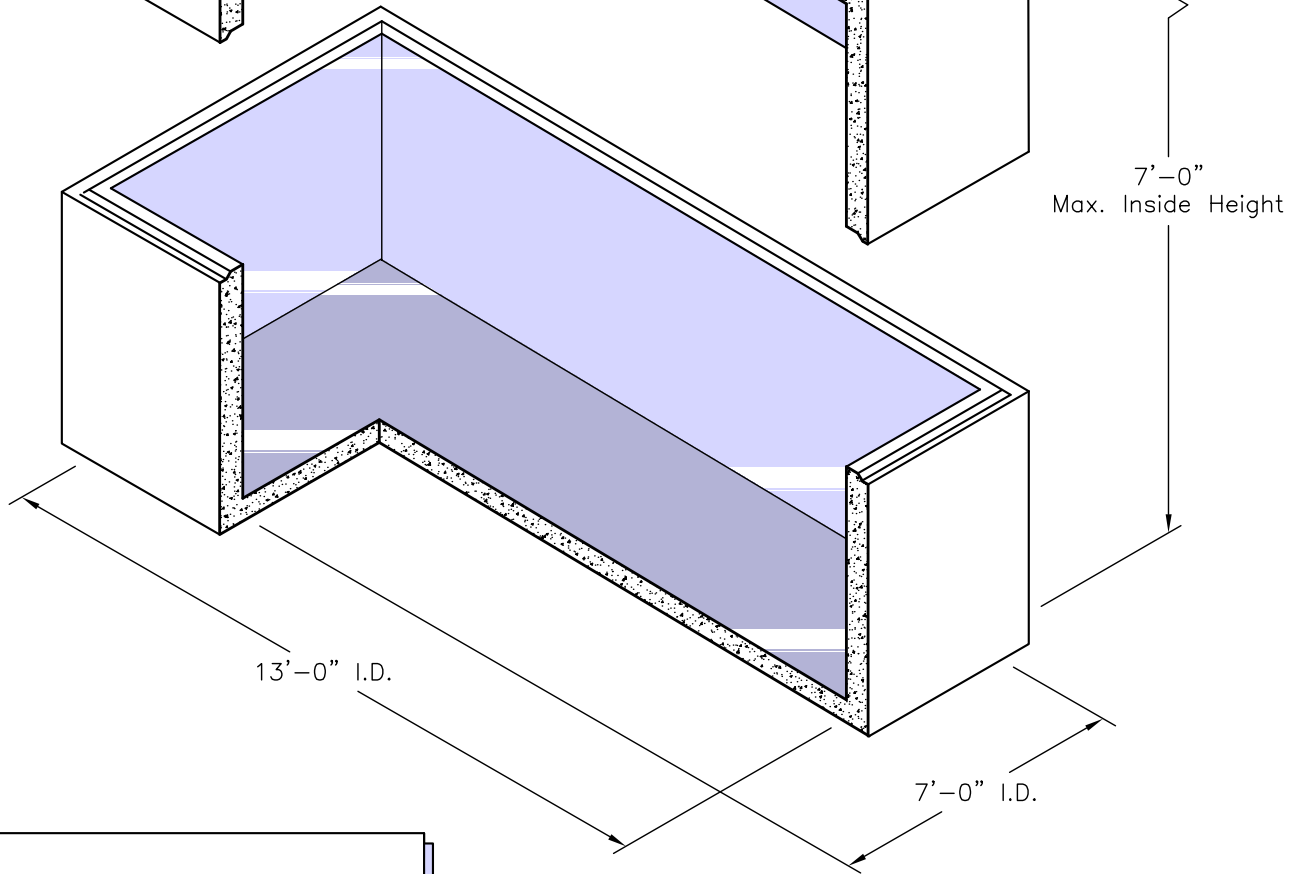
TOP

WT. Variable



BOTTOM

WT. Variable



SPECIFICATIONS:

1. Inside Height as Specified.
2. Inside Roof, Floor and Side Wall Openings as Specified.
3. Maximum inside Height for 2 Piece Manhole 7'-0"