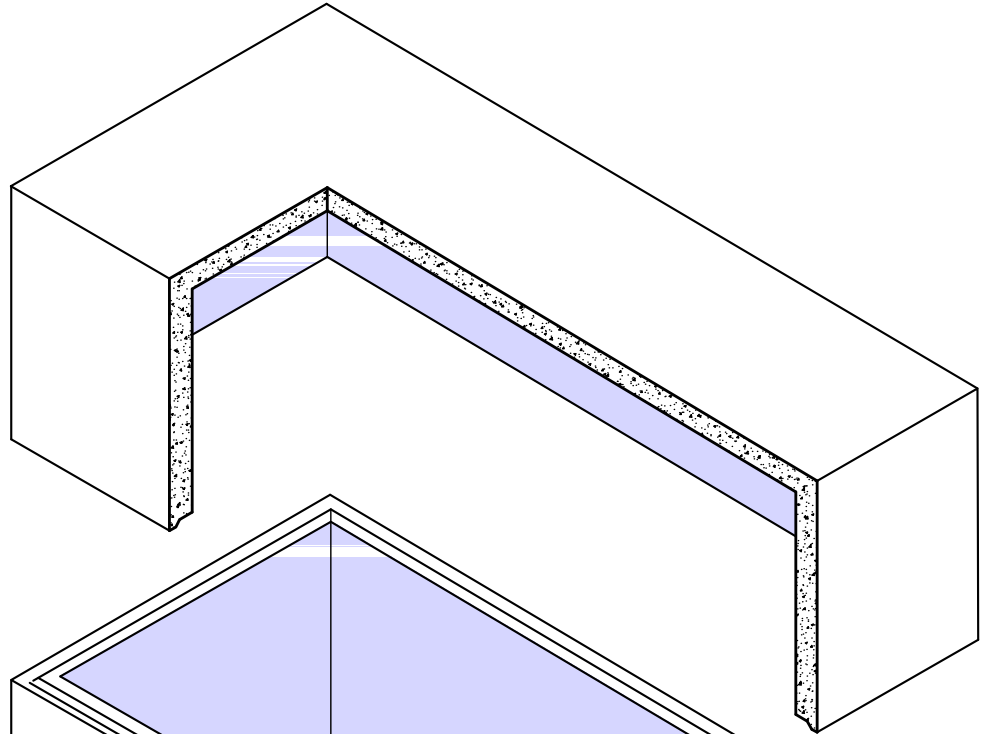


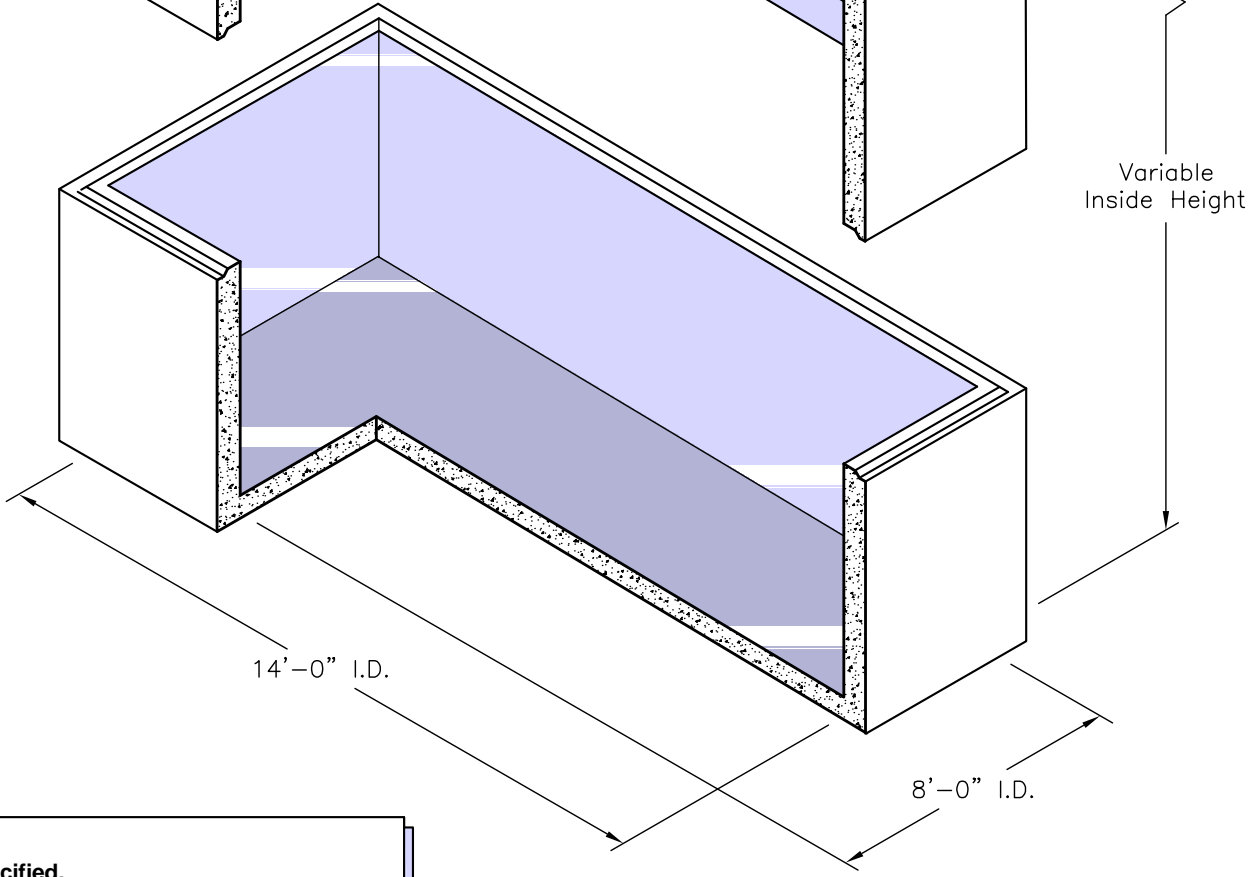
TOP

WT. Variable



BOTTOM

WT. Variable



- SPECIFICATIONS:**
1. Inside Height as Specified.
 2. Inside Roof, Floor and Side Wall Openings as Specified.
 3. Maximum inside Height for 2 Piece Manhole 10'-2"
 4. Maximum inside Height for Each Additional Piece 5'-1"