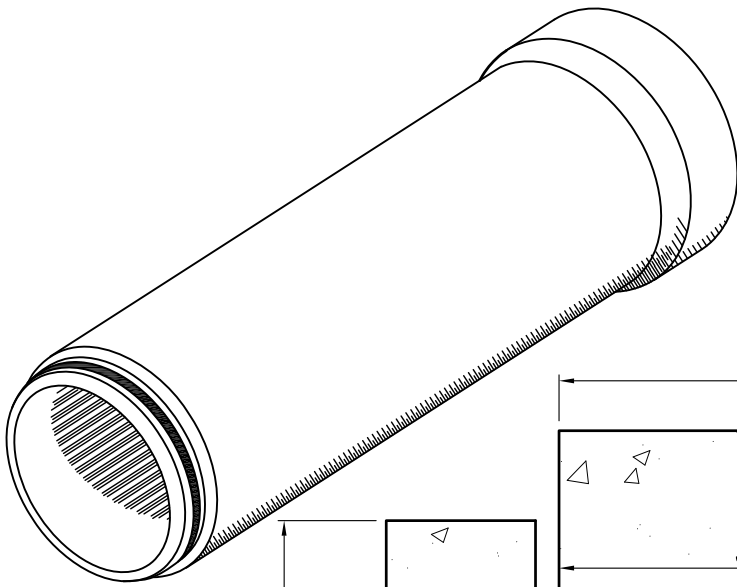


PIPE DIMENSIONS & WEIGHTS

ID	WT	JT	GD	TD	AS	OI	GW	GS	GL	TS	AST	X	OD	WEIGHT (lbs/ft)	PLANT	AVAIL LENGTH
12"	B-2 1/4"	3 1/2"	15.260"	14.725"	0.063"	14.606"	0.377"	11/16"	1"	1"	1/8"	5 3/4"	19 5/16"	123	RAL	8'
15"	C-3"	3 1/2"	18.759"	18.224"	0.063"	18.105"	0.377"	11/16"	1"	1"	1/8"	5 1/2"	23 5/16"	191	RAL	8'
18"	C-3 1/4"	3 1/2"	21.787"	21.252"	0.063"	21.133"	0.377"	11/16"	1"	1"	1/8"	6"	26 1/2"	249	RAL	8'
24"	C-3 3/4"	3 7/8"	29.138"	28.950"	0.063"	28.408"	0.400"	7/8"	13/16"	1"	3/32"	6"	35 1/2"	367	RAL	8'
30"	C-4 1/4"	4"	36.005"	35.818"	0.063"	35.274"	0.377"	7/8"	13/16"	1"	1/8"	7"	43 1/4"	502	RAL	12'
36"	C-4 3/4"	4"	42.88"	42.69"	0.063"	42.15"	0.377"	7/8"	13/16"	1"	1/8"	7 1/2"	51 1/4"	700	RAL	12'
42"	C-5 1/4"	4 1/4"	49.141"	48.829"	0.094"	48.344"	0.451"	7/8"	1"	1"	5/32"	8"	57 1/2"	848	RAL	12'
48"	C-5 3/4"	4 1/4"	55.141"	54.829"	0.094"	54.344"	0.451"	7/8"	1"	1"	5/32"	8"	63 1/2"	1044	RAL	12'
54"	C-6 1/4"	4 1/4"	61.141"	61.829"	0.094"	60.344"	0.451"	7/8"	1"	1"	5/32"	8"	69 1/2"	1262	RAL	12'

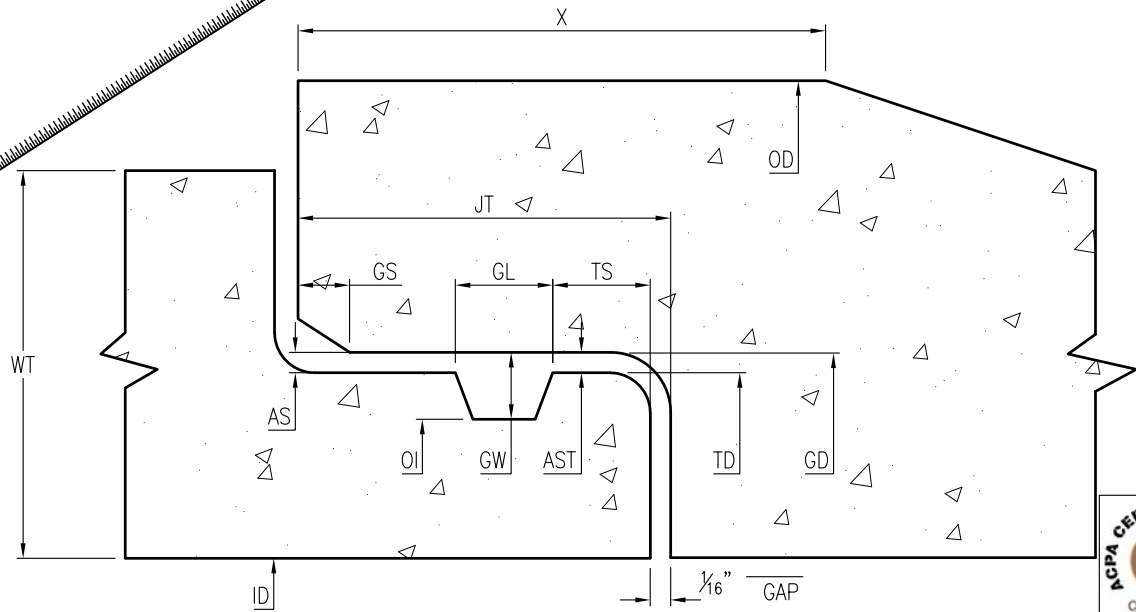


PIPE DESIGN SPECIFICATIONS:

1. ASTM C 76-LATEST CLASS III, IV, & V
2. AASHTO M-170-LATEST
3. MEETS ALL NCDOT SPECIFICATIONS

JOINT DESIGN SPECIFICATIONS:

1. ASTM C-443-LATEST
2. ASTM C-361-LATEST
3. JOINT TYPE-R4 WITH "O" RING RUBBER GASKETS.



JOINT DETAIL
SCALE: NTS

TO ORDER PLEASE SPECIFY

SIZE	CLASS	JOINT TYPE	JOINT SEALANT	LENGTH
		OR		
		OR		
		OR		

SIZE:
INSIDE DIA. (INCH)

CLASS:
C3, C4, C5

JOINT TYPE:
TG= TONGUE & GROOVE
SO= SINGLE OFFSET
OR= O-RING

JOINT SEALANT:
M= MORTAR
C= CONSEAL CS-102
S= SINGLE OFFSET
GASKET
O= O-RING GASKET

LENGTH:
PER TABLE

Oldcastle Precast[®]

920 WITHERS ROAD RALEIGH, NC. 27603
OFFICE 919-772-6301, FAX 919-772-1209

NC ENGINEERING
LICENSE #F-1002

THIS DOCUMENT IS THE PROPERTY OF OLDCASTLE PRECAST, INC. IT IS CONFIDENTIAL SUBMITTED FOR REFERENCE PURPOSES ONLY, AND SHALL NOT BE USED IN ANY WAY INJURIOUS TO THE INTERESTS OF, OR WITHOUT THE WRITTEN PERMISSION OF OLDCASTLE PRECAST, INC. COPYRIGHT © 2017 OLDCASTLE PRECAST, INC. ALL RIGHTS RESERVED

"O" RING MODIFIED BELL & SPIGOT SUBMITTAL

CUSTOMER					
DATE	SALES	DRAWN	ENGINEER	CHECKED	SALES ORDER
10/9/17		PPS			
DRAWING NUMBER				REVISION	SHEET
O Ring Pipe				REV DATE	1 OF 1