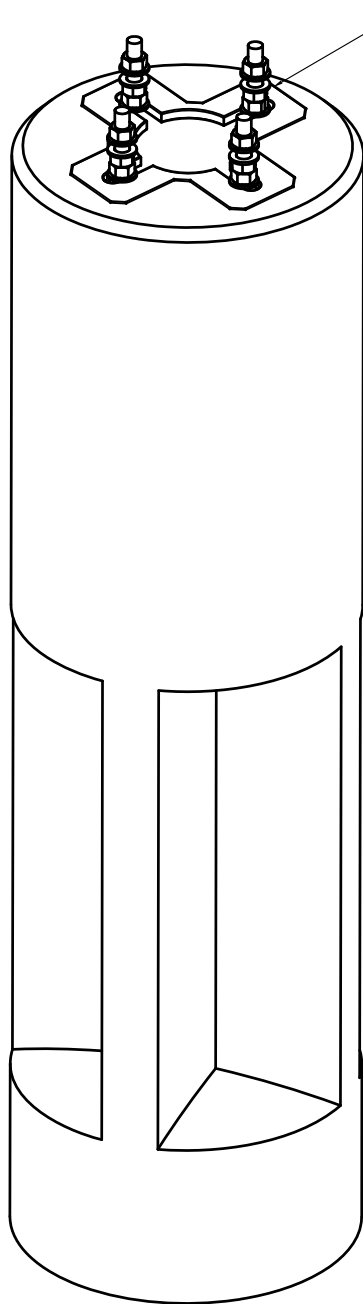


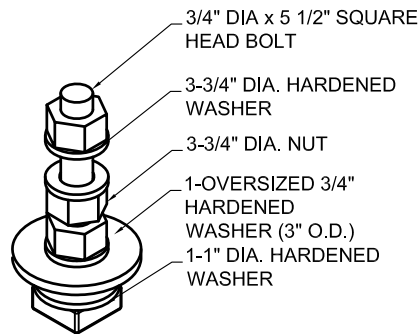
Pole Base

Weight: 2,600 lbs.


ISOMETRIC VIEW
 SCALE: NTS

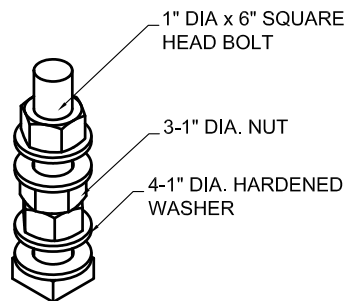
Steel Mount Plate With Slots for Adjustable Bolt Pattern

2" Embedded PVC


3/4" BOLT ASSEMBLY

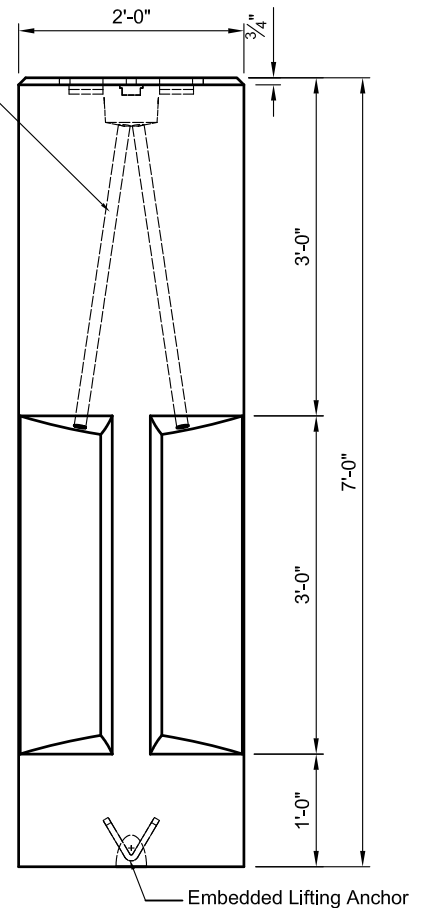
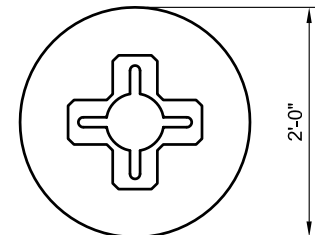
SCALE: NTS

LOOSE ITEMS-3/4" Bolt Assembly		
QTY	DESCRIPTION	AX #
4	3/4" DIA x 5 1/2" SQUARE HEAD BOLT	
12	3/4" DIA. HARDENED WASHER	
12	3/4" DIA. HEX NUT	
4	OVERSIZED 3/4" HARDENED WASHER (3" O.D.)	
4	1" DIA. HARDENED WASHER	


1" BOLT ASSEMBLY

SCALE: NTS

LOOSE ITEMS-1" Bolt Assembly		
QTY	DESCRIPTION	AX #
4	1" DIA x 6" SQUARE HEAD BOLT	
12	1" DIA. HEX NUT	
16	1" DIA. HARDENED WASHER (2" O.C.)	


ELEVATION
 SCALE 3/4"=1'-0"

PLAN
 SCALE 3/4"=1'-0"

GENERAL NOTES:

1. MINIMUM 28 DAY CONCRETE STRENGTH $f_c=6000$ PSI (41.4MPA).
2. REINFORCING STEEL SHALL COMPLY WITH ASTM A-615 GRADE 60 (A-615M GRADE 420)
3. ANCHOR BOLTS AND HARDWARE to be ASTM A449, and be HOT DIP GALVANIZED (HDG) Per ASTM A153.
4. STEEL PLATE to be (HGD) per ASTM A123.
5. CONDUIT & COUPLERS to be PVC SCH. 40 CONFORMING TO NEMA TC-2.