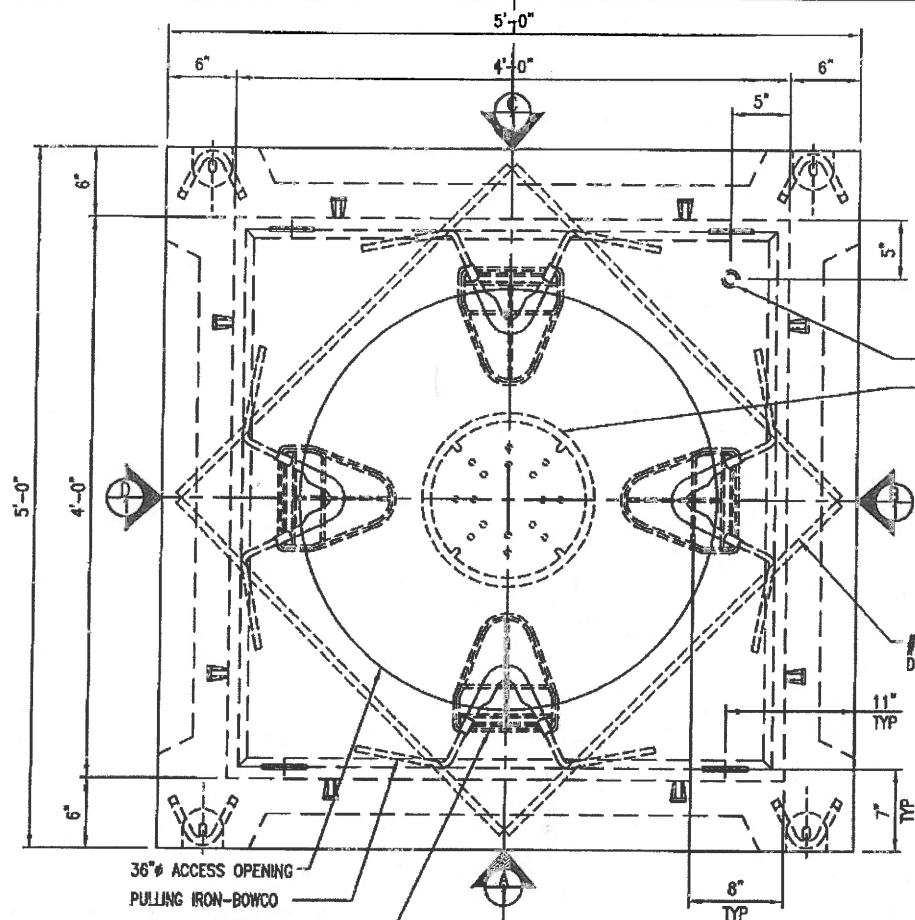
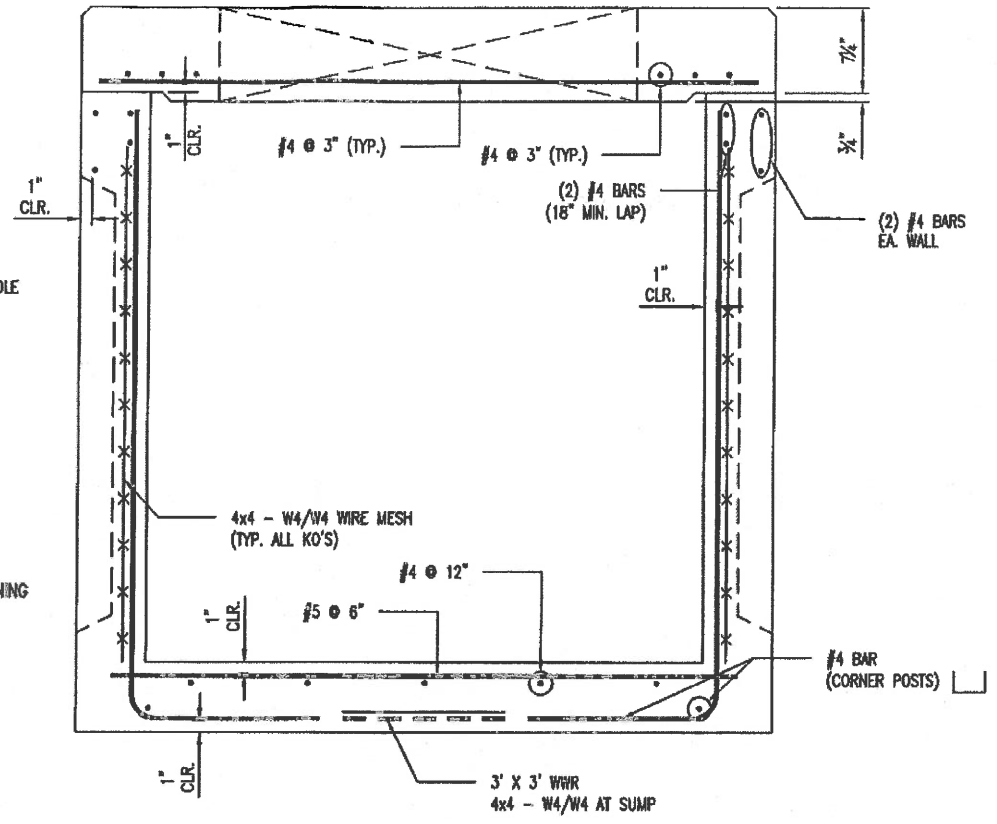


STRUCTURE WEIGHTS	
STRUCTURE WEIGHT	STRUCTURE TYPE
2.88 TONS	BASE SECTION
1.10 TONS	LID SECTION

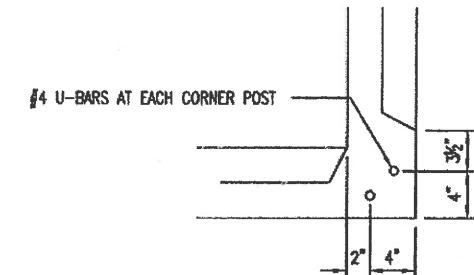
1



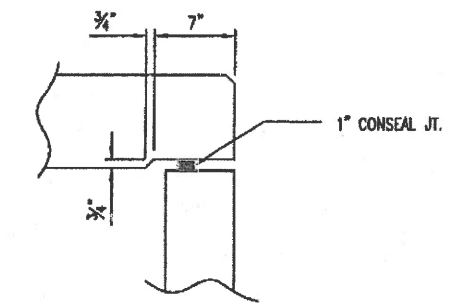
PLAN VIEW
SCALE: 3/4" = 1'-0"



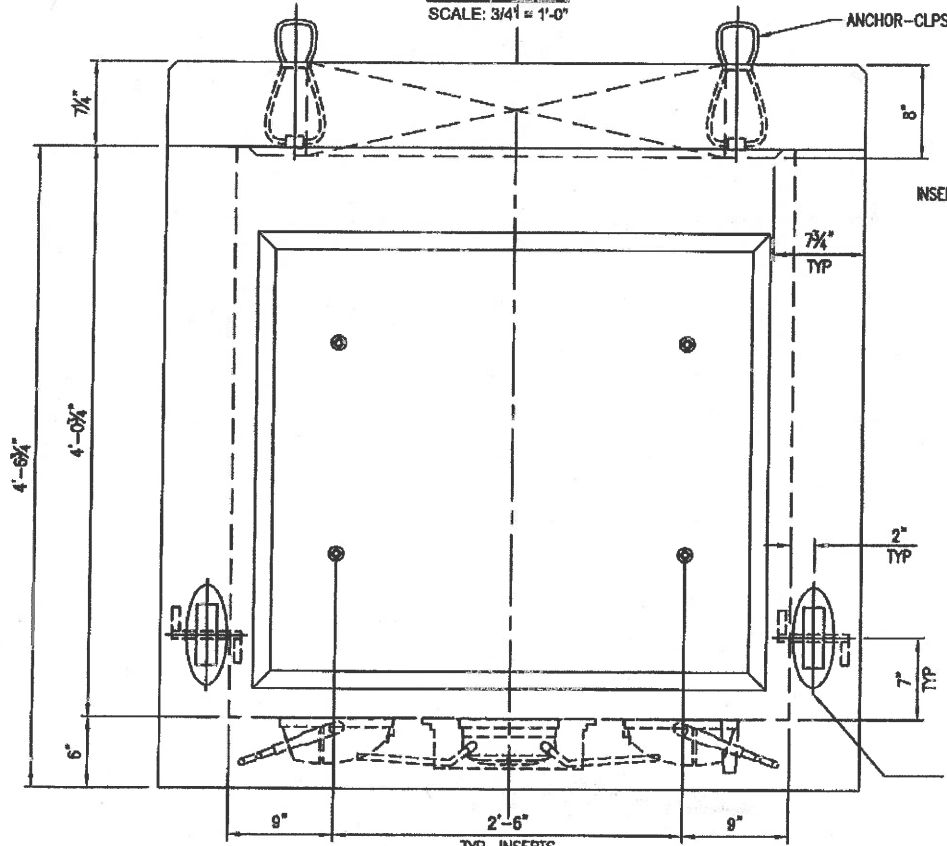
STEEL REINFORCEMENT
SCALE: 3/4" = 1'-0"



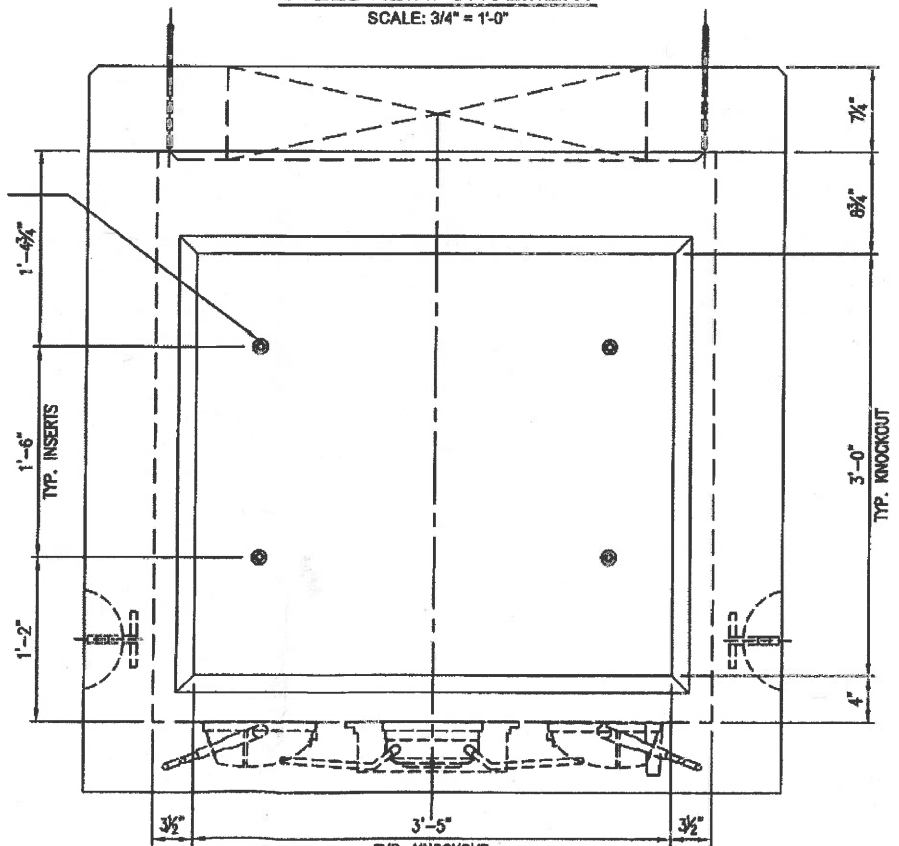
CORNER POST DETAIL
SCALE: 3/4" = 1'-0"



LID JOINT DETAIL
SCALE: 3/4" = 1'-0"



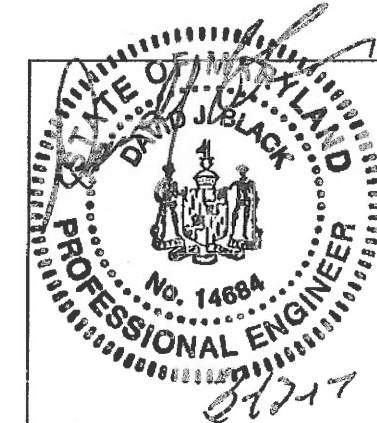
VIEW A
VIEW C IS A MIRROR IMAGE
SCALE: 3/4" = 1'-0"



VIEW B
VIEW D IS A MIRROR IMAGE
SCALE: 3/4" = 1'-0"

- DESIGN NOTES:**
1. TOP SLAB CONCRETE MIN. COMPRESSIVE STRENGTH 6000 PSI @ 28 DAYS & BASE 5,000 PSI.
 2. STEEL REINFORCEMENT REBAR - ASTM #15, GRADE 60.
 3. DESIGN LOADING PER BALTIMORE CITY HS-25 DESIGN CRITERIA.
 4. EARTH COVER = 1'-0" - 5'-0"
 5. GROUND WATER @ 3'-0" BELOW GRADE.

REVISION TABLE			
REV	REV DATE	BY	DESCRIPTION
1			
2			



Oldcastle Precast
CHESAPEAKE REGION
5115 MASSAPONAX CHURCH ROAD, FREDERICKSBURG, VA 22407
OFFICE 540-899-8300, FAX 540-899-2282
1401 TRICE & ROAD, ESCO, MD 21029
OFFICE 410-296-1200, FAX 410-813-1214

THIS DOCUMENT IS THE PROPERTY OF OLDCASTLE PRECAST, INC. IT IS SUBMITTED FOR REFERENCE PURPOSES ONLY AND SHALL NOT BE USED IN ANY WAY INJURIOUS TO THE INTERESTS OF SAID COMPANY. COPYRIGHT © 2010 OLDCASTLE PRECAST, INC. ALL RIGHTS RESERVED.

4' x 4' x 4' BASE KO HS-25 & 5' x 5' TOP SUBMITTAL - LAYOUT

BG&E 0040480-0041470

DATE	SALES	DRAWN	ENGINEER	CHECKED	SALES ORDER
03/10/17		CR	DJB	DJB	
DRAWING NUMBER				REVISION	SHEET
0040480-0041470					1 OF 1

PROFESSIONAL CERTIFICATION: I, DAVID J. BLACK, HEREBY CERTIFY THAT THESE DOCUMENTS WERE PREPARED OR APPROVED BY ME, AND THAT I AM A DULY LICENSED PROFESSIONAL ENGINEER UNDER THE LAWS OF THE STATE OF MARYLAND, LICENSE NO. 14684, EXPIRATION DATE NOVEMBER 18, 2017