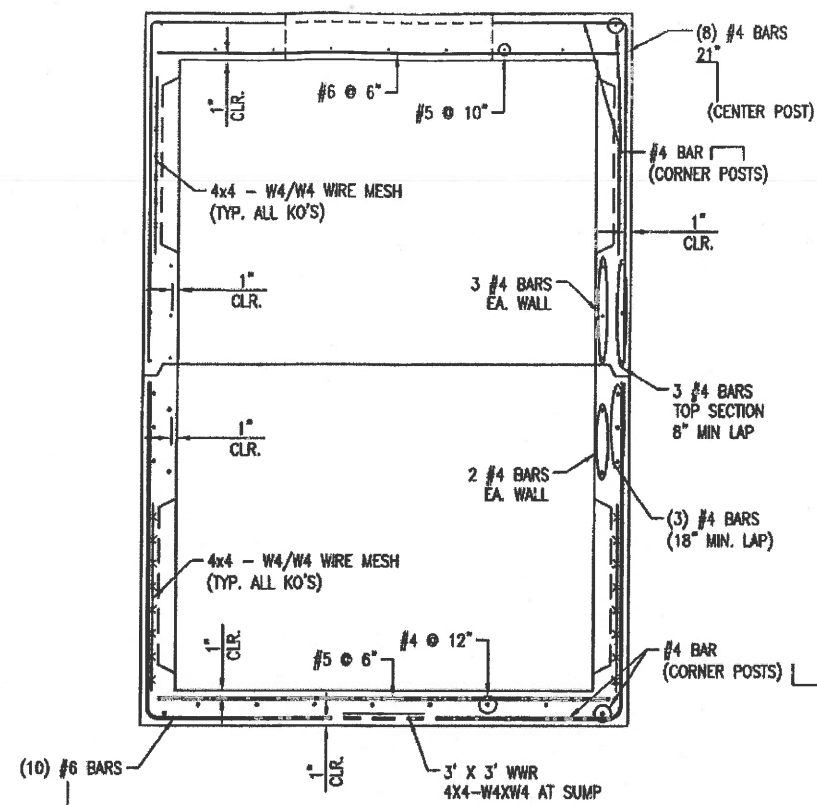
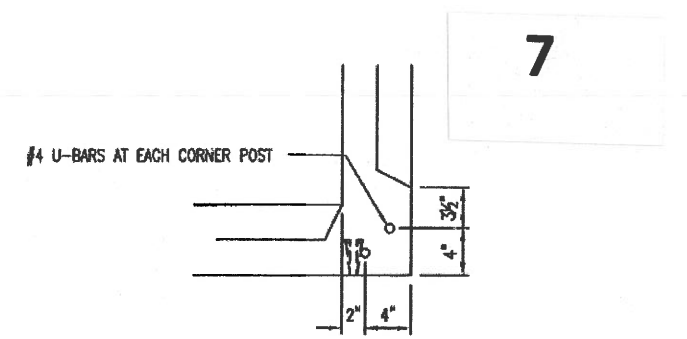


**PLAN VIEW**  
SCALE: 3/8" = 1'-0"

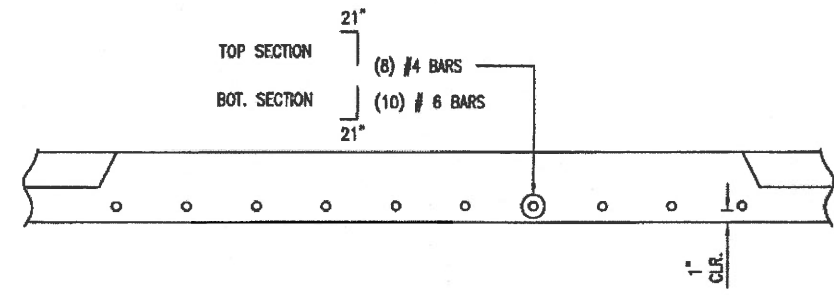


**STEEL REINFORCEMENT**  
SCALE: 3/8" = 1'-0"

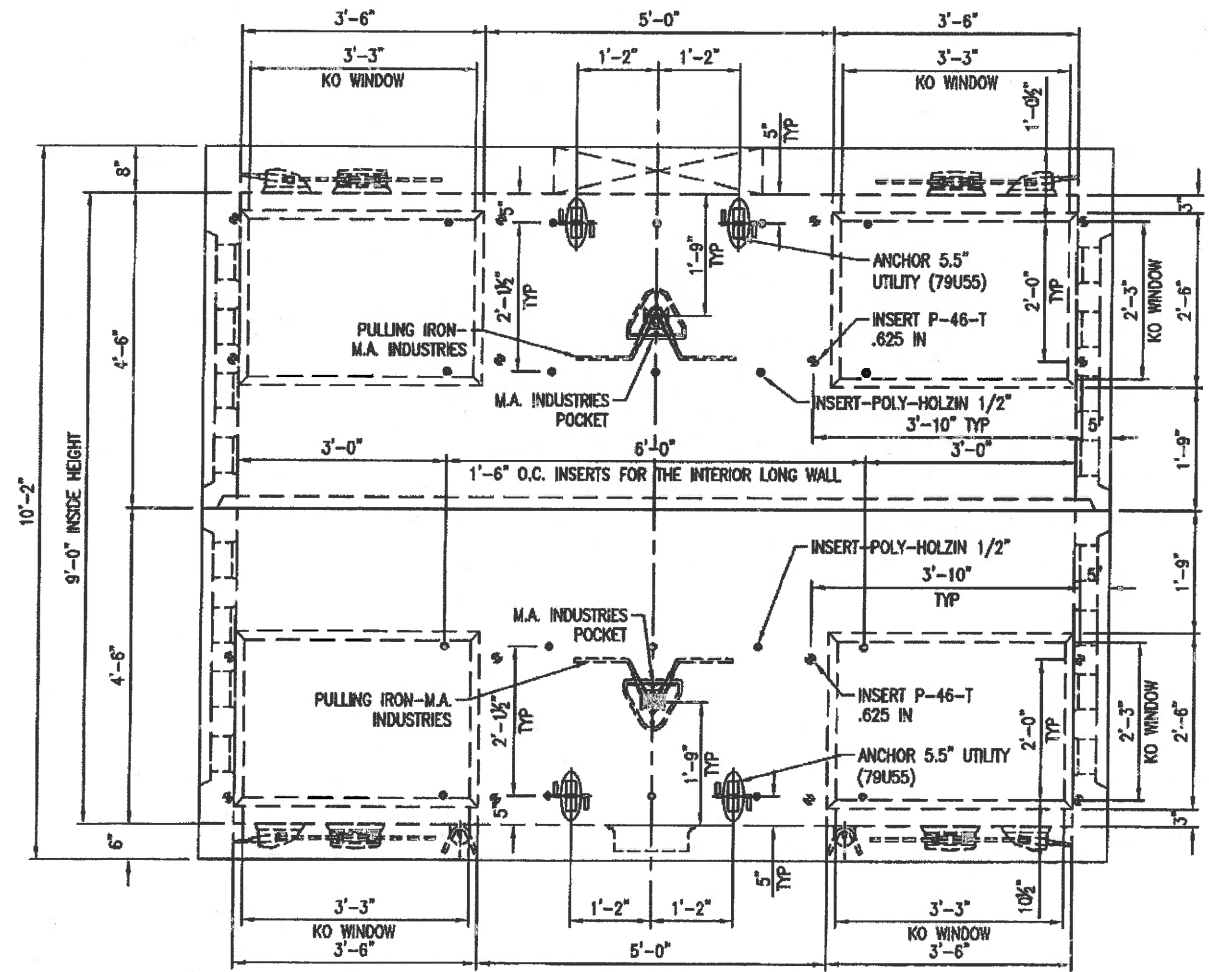
STRUCTURE WEIGHTS	
STRUCTURE WEIGHT	STRUCTURE TYPE
9.16 TONS	BASE SECTION
10.16 TONS	TOP SECTION



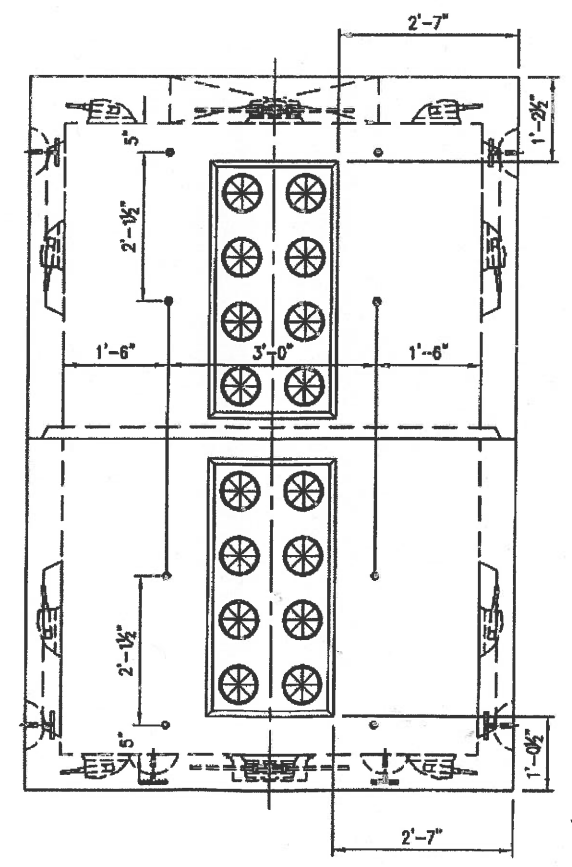
**CORNER POST DETAIL**  
SCALE: 3/4" = 1'-0"



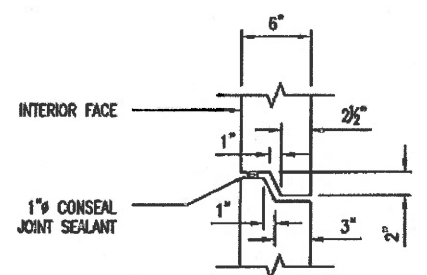
**CENTER POST BEAM DETAIL**  
SCALE: N.T.S.



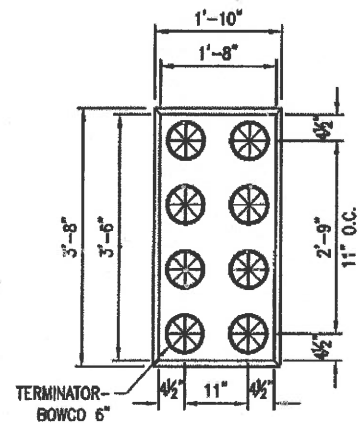
**VIEW A**  
VIEW C IS A MIRROR IMAGE  
SCALE: 3/8" = 1'-0"



**VIEW B**  
VIEW D IS TYPICAL  
SCALE: 3/8" = 1'-0"



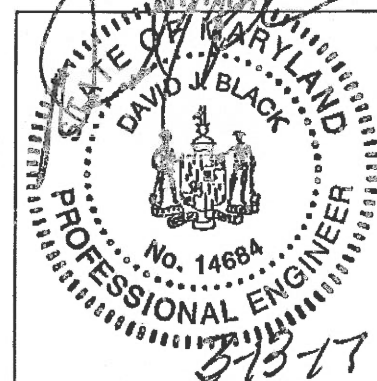
**SHIPLAP JOINT DETAIL**  
N.T.S.



**DUCT BANK DETAIL**  
SCALE: 3/8" = 1'-0"

- DESIGN NOTES:**
1. TOP SECTION CONCRETE MIN. COMPRESSIVE STRENGTH 6000 PSI @ 28 DAYS & BOTTOM SECTION 5000 PSI.
  2. STEEL REINFORCEMENT REBAR - ASTM 815, GRADE 60.
  3. DESIGN LOADING PER BALTIMORE CITY HS-25 DESIGN CRITERIA.
  4. EARTH COVER = 1'-0" - 5'-0"
  5. GROUND WATER @ 3'-0" BELOW GRADE.

REVISION TABLE			
REV	REV DATE	BY	DESCRIPTION
1			
2			



**Oldcastle Precast**  
CHESAPEAKE REGION  
5111 MASSAPONIX CHURCH ROAD, FREDERICKSBURG, VA 22407  
OFFICE 519-859-8300, FAX 540-866-2389  
1461 TRIBLE ROAD, EDWARDSWOOD, MD 21040  
OFFICE 410-298-1200, FAX 410-412-1241

THIS DOCUMENT IS THE PROPERTY OF OLDCASTLE PRECAST, INC. IT IS SUBMITTED FOR REFERENCE PURPOSES ONLY AND SHALL NOT BE USED IN ANY WAY HARMFUL TO THE INTERESTS OF SAID COMPANY. COPYRIGHT © 2010 OLDCASTLE PRECAST, INC. ALL RIGHTS RESERVED.

6'-0" x 12'-0" x 4'-6" BASE & TOP W/ 6" TERMS  
SUBMITTAL - LAYOUT

**BG&E 0121275-0121270**

DATE	SALES	DRAWN	ENGINEER	CHECKED	SALES/ORDEN
03/10/17		CR	DJB	DJB	
DRAWING NUMBER					SHEET
0121275-0121270					1 OF 1

PROFESSIONAL CERTIFICATION: I, DAVID J. BLACK, HEREBY CERTIFY THAT THESE DOCUMENTS WERE PREPARED OR APPROVED BY ME, AND THAT I AM A DULY LICENSED PROFESSIONAL ENGINEER UNDER THE LAWS OF THE STATE OF MARYLAND, LICENSE NO. 14684, EXPIRATION DATE NOVEMBER 16, 2017