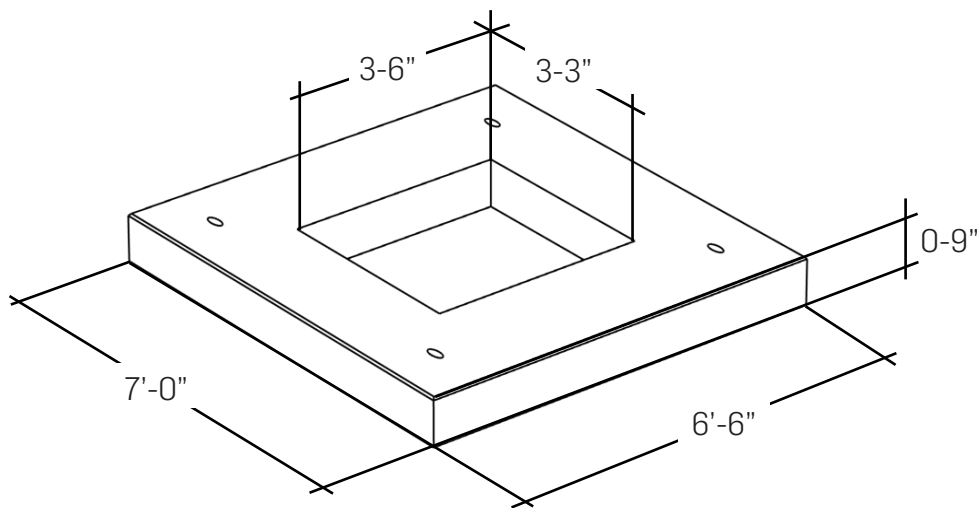


# TOP SLABS

## MODEL: 6679 PEPCO SLAB - FLAT BOTTOM

6'-6" X 7'-0" X 0'-9" OD



ENERGY