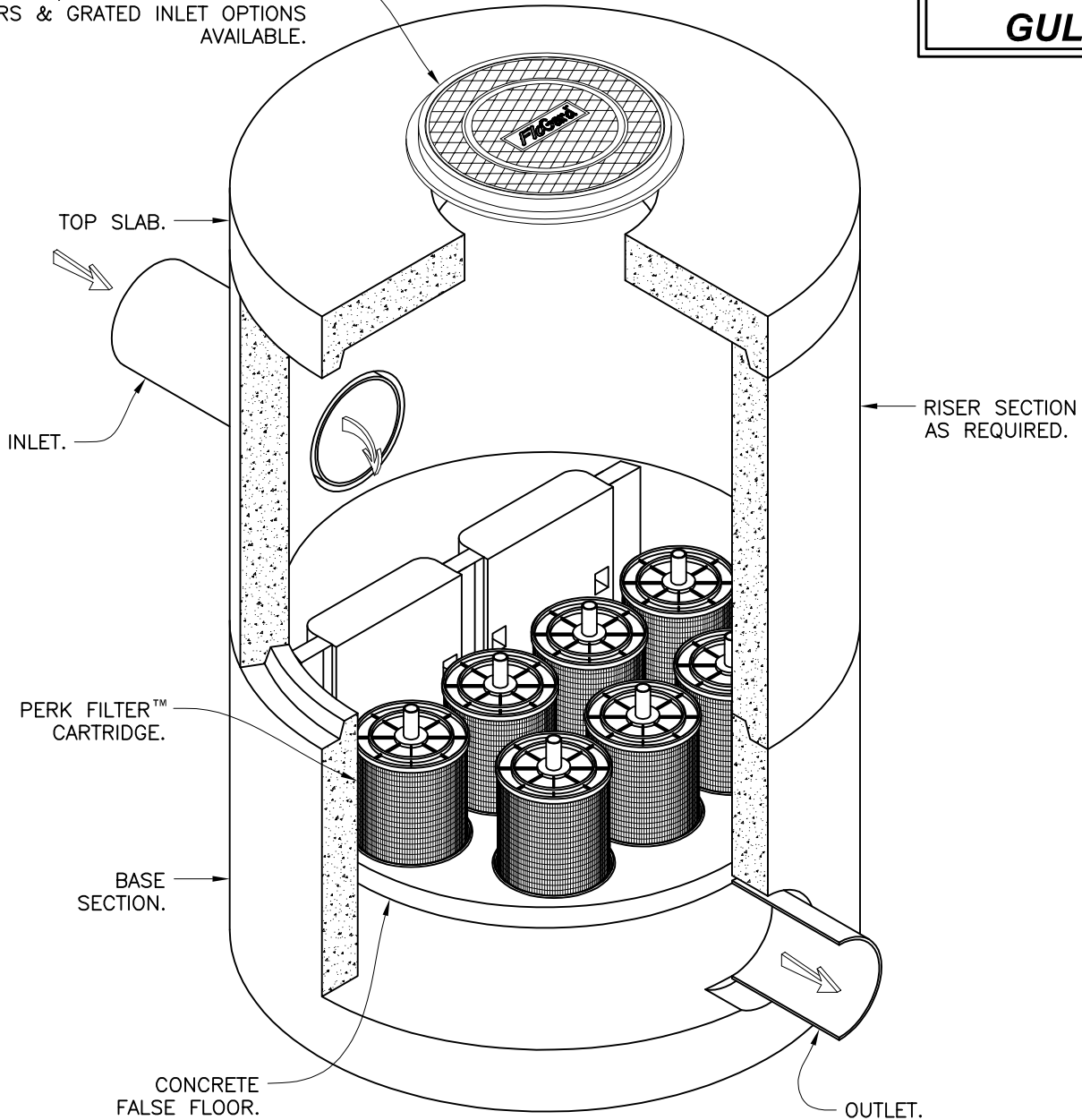


BOLTED & GASKETED ACCESS COVER/HATCH, STANDARD. ALTERNATE COVERS & GRATED INLET OPTIONS AVAILABLE.

**Washington
GULD***



Notes:

1. Precast concrete structure shall be manufactured in accordance with ASTM Designation C478.
2. Filter system shall be supplied with traffic rated (H20) bolted & gasketed Ø36" circular access covers with risers as required. Field poured concrete collar required, by others.
3. Inlet & outlet pipe(s) are to be Ø24.00" maximum. Inlet pipes must enter the structure in the inlet bay.
4. Inlet chamber shall be supplied with drain-down device designed to remove standing water between storm events.
5. Minimum separation between invert in & invert out is outlet pipe diameter plus 4.00".
6. For depths less than specified minimums contact Oldcastle® Stormwater Solutions for engineering assistance.

*** Treatment Flow Rates shown conform to Washington State GULD Specifications**



Media
Filtration

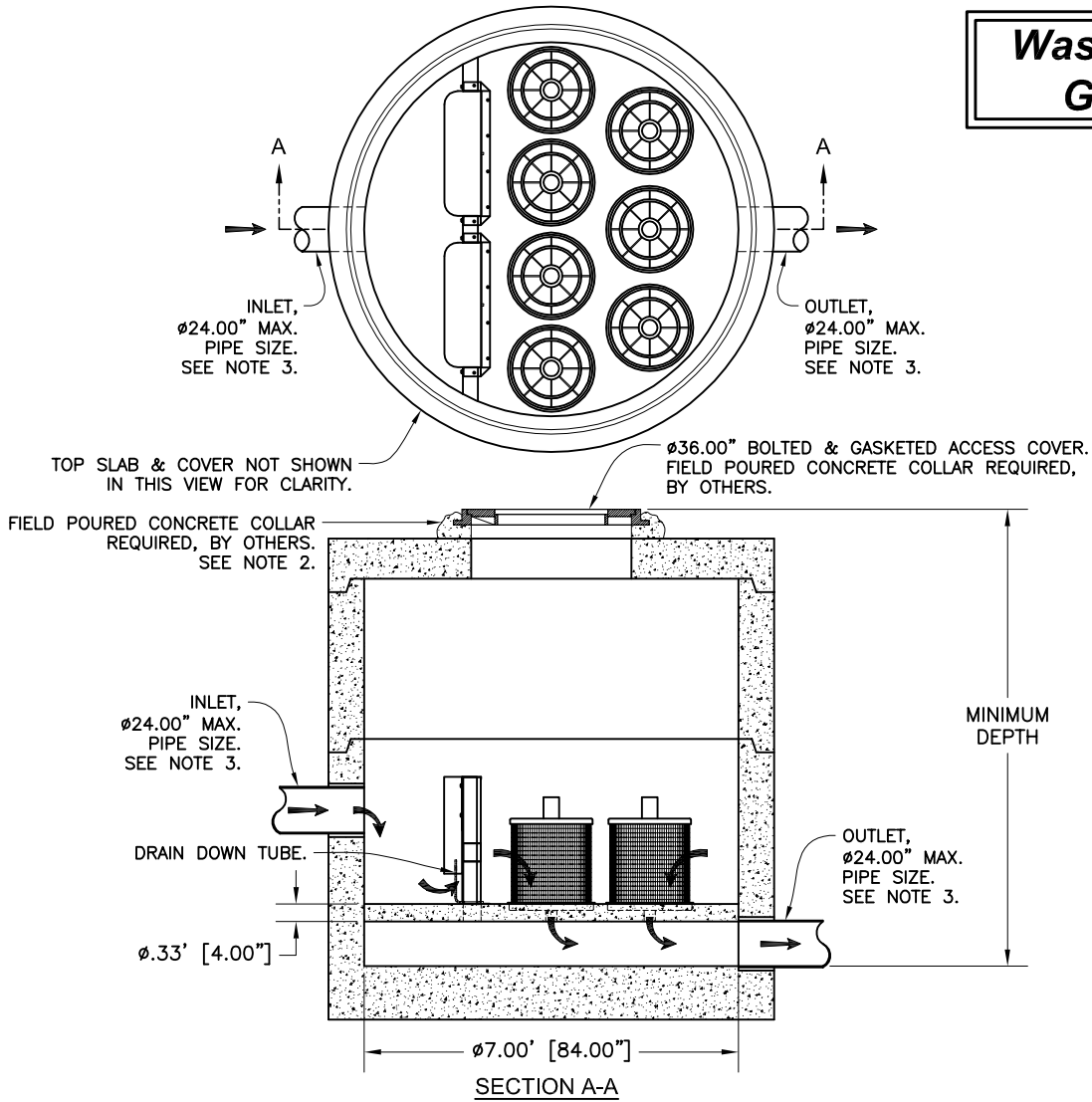
Perk Filter™
 Ø84.00" Manhole
 Washington State GULD
 One to Seven Cartridges / Stacks



Oldcastle®
 Stormwater Solutions

7921 Southpark Plaza, Suite 200 | Littleton, CO | 80120 | Ph: 800.579.8819 | oldcastlestormwater.com
 THIS DOCUMENT IS THE PROPERTY OF OLDCASTLE PRECAST, INC. IT IS SUBMITTED FOR REFERENCE PURPOSES ONLY AND SHALL NOT BE USED IN ANY WAY INJURIOUS TO THE INTERESTS OF SAID COMPANY. COPYRIGHT © 2015 OLDCASTLE PRECAST, INC. ALL RIGHTS RESERVED.

DRAWING NO. PF-MH-84-WA	REV NR	ECO ECO-0132	DATE ISM 4/27/15	SHEET 1 OF 2
----------------------------	-----------	-----------------	---------------------	--------------



Minimum Depth

PIPE SIZE	Ø6.00"	Ø8.00"	Ø10.00"	Ø12.00"	Ø15.00"	Ø18.00"	Ø21.00"	Ø24.00"
CARTRIDGE TYPE	MINIMUM DEPTH RIM TO OUTLET	MINIMUM DEPTH RIM TO OUTLET	MINIMUM DEPTH RIM TO OUTLET	MINIMUM DEPTH RIM TO OUTLET	MINIMUM DEPTH RIM TO OUTLET	MINIMUM DEPTH RIM TO OUTLET	MINIMUM DEPTH RIM TO OUTLET	MINIMUM DEPTH RIM TO OUTLET
12"	4.08' [49.00"]	4.08' [49.00"]	4.33' [52.00"]	4.58' [55.00"]	4.83' [58.00"]	5.08' [61.00"]	5.33' [64.00"]	5.58' [67.00"]
18"	4.83' [58.00"]	4.83' [58.00"]	5.08' [61.00"]	5.33' [64.00"]	5.58' [67.00"]	5.83' [70.00"]	6.08' [73.00"]	6.33' [76.00"]
12" + 12"	5.58' [67.00"]	5.83' [70.00"]	6.08' [73.00"]	6.33' [76.00"]	6.58' [79.00"]	6.83' [82.00"]	7.08' [85.00"]	7.33' [88.00"]
12" + 18"	6.08' [73.00"]	6.33' [76.00"]	6.58' [79.00"]	6.83' [82.00"]	7.08' [85.00"]	7.33' [88.00"]	7.58' [91.00"]	7.83' [94.00"]

Ø84.00" PERK FILTER MANHOLE								
TREATMENT FLOW RATES, TOTAL FLOW CAPACITIES & MAXIMUM HEAD LOSS								
CARTRIDGE STACK QUANTITY	CARTRIDGE STACK CONFIGURATION							
	12"		18"		12" & 12"		12" & 18"	
	TREATMENT FLOW RATE (GPM / CFS)	TOTAL FLOW CAPACITY (CFS)	TREATMENT FLOW RATE (GPM / CFS)	TOTAL FLOW CAPACITY (CFS)	TREATMENT FLOW RATE (GPM / CFS)	TOTAL FLOW CAPACITY (CFS)	TREATMENT FLOW RATE (GPM / CFS)	TOTAL FLOW CAPACITY (CFS)
1	6.8 / 0.015	4.94	10.2 / 0.022	6.10	13.6 / 0.03	6.90	17 / 0.037	7.24
2	13.6 / 0.03	4.94	20.4 / 0.045	6.10	27.2 / 0.06	6.90	34 / 0.075	7.24
3	20.4 / 0.045	4.94	30.6 / 0.068	6.10	40.8 / 0.09	6.90	51 / 0.113	7.24
4	27.2 / 0.06	4.94	40.8 / 0.09	6.10	54.4 / 0.121	6.90	68 / 0.151	7.24
5	34 / 0.075	4.94	51 / 0.113	6.10	68 / 0.151	6.90	85 / 0.189	7.24
6	40.8 / 0.09	4.94	61.2 / 0.136	6.10	81.6 / 0.181	6.90	102 / 0.227	7.24
7	47.6 / 0.106	4.94	71.4 / 0.159	6.10	95.2 / 0.212	6.90	119 / 0.265	7.24
MAXIMUM HEAD LOSS	1.7 FEET		2.3 FEET		2.9 FEET		3.5 FEET	



Perk Filter™
 Ø84.00" Manhole
 Washington State GULD
 One to Seven Cartridges / Stacks



Oldcastle®
 Stormwater Solutions

7921 Southpark Plaza, Suite 200 | Littleton, CO | 80120 | Ph: 800.579.8819 | oldcastlestormwater.com
 THIS DOCUMENT IS THE PROPERTY OF OLDCASTLE PRECAST, INC. IT IS SUBMITTED FOR REFERENCE PURPOSES ONLY AND SHALL NOT BE USED IN ANY WAY INJURIOUS TO THE INTERESTS OF SAID COMPANY. COPYRIGHT © 2015 OLDCASTLE PRECAST, INC. ALL RIGHTS RESERVED.

DRAWING NO. PF-MH-84-WA	REV NR	ECO ECO-0132	DATE ISM 4/27/15	SHEET 2 OF 2
----------------------------	-----------	-----------------	---------------------	--------------